

1977 Sofa

Assembly | User Guide



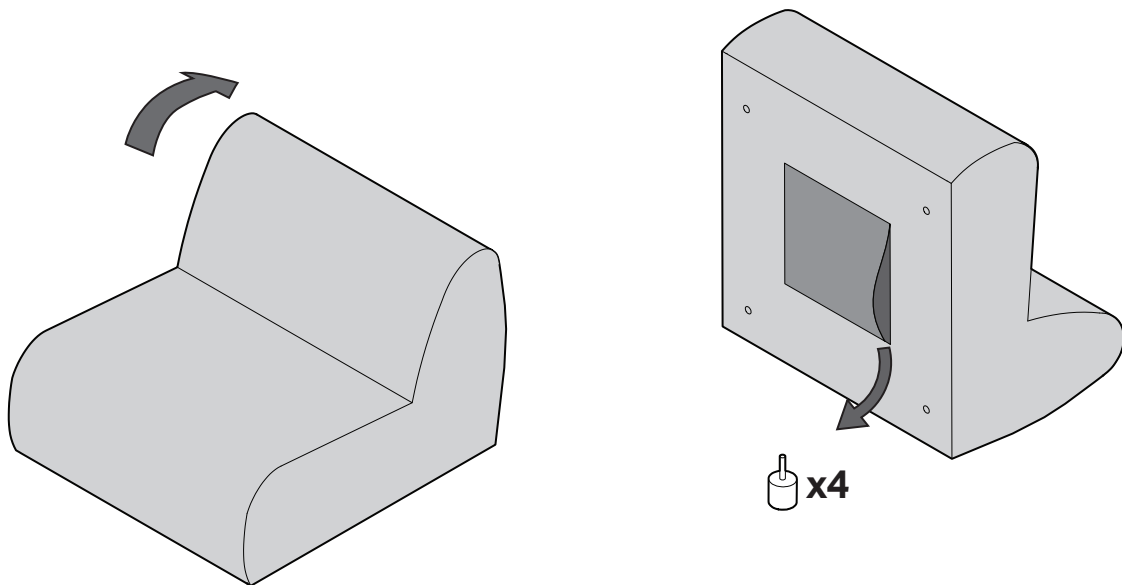
Product Care

Two people required for safe assembly

Opening Boxes: DO NOT use a knife to open the packaging as you may damage your furniture. Peel-off the tape, then lift and separate the cardboard flaps to open.

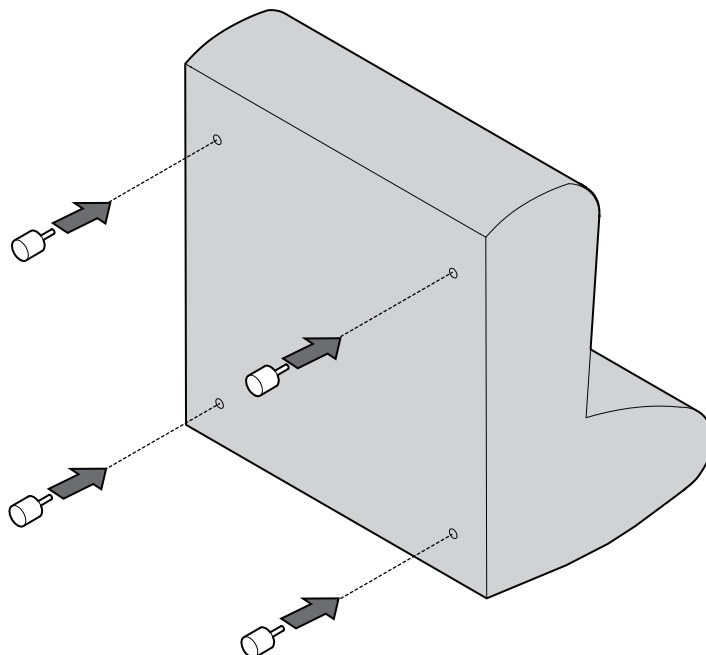
Please follow these Assembly | User Guide Instructions

1



2

x4



3

