

1977 Sofa

Assembly | User Guide

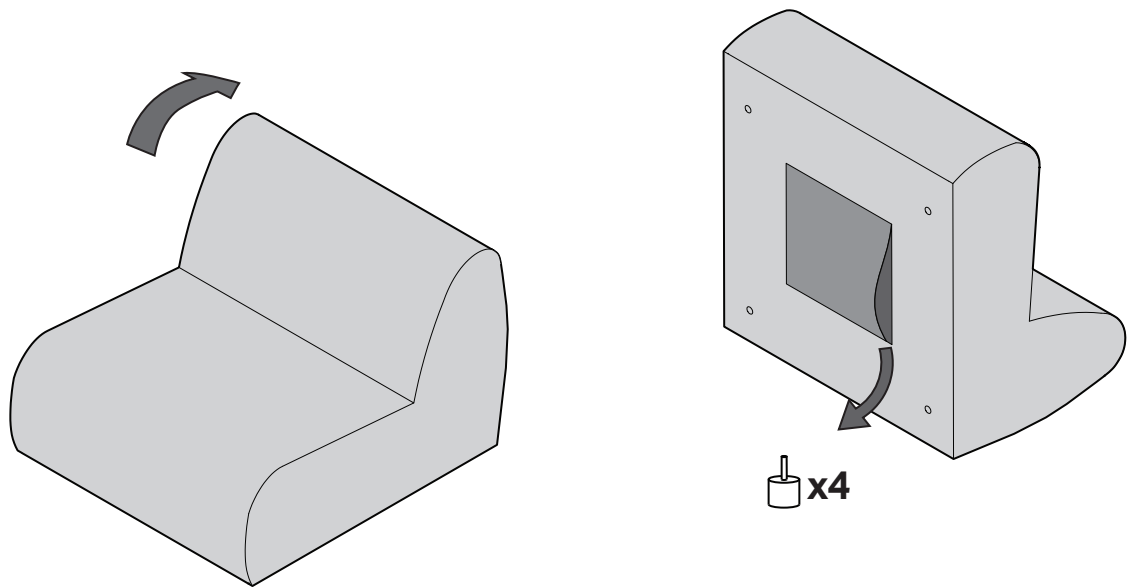
Two people are required for safe assembly

Opening Boxes:

DO NOT use a knife to open the packaging as you may damage your furniture.
Peel off the tape, then lift & separate the cardboard flaps to open.

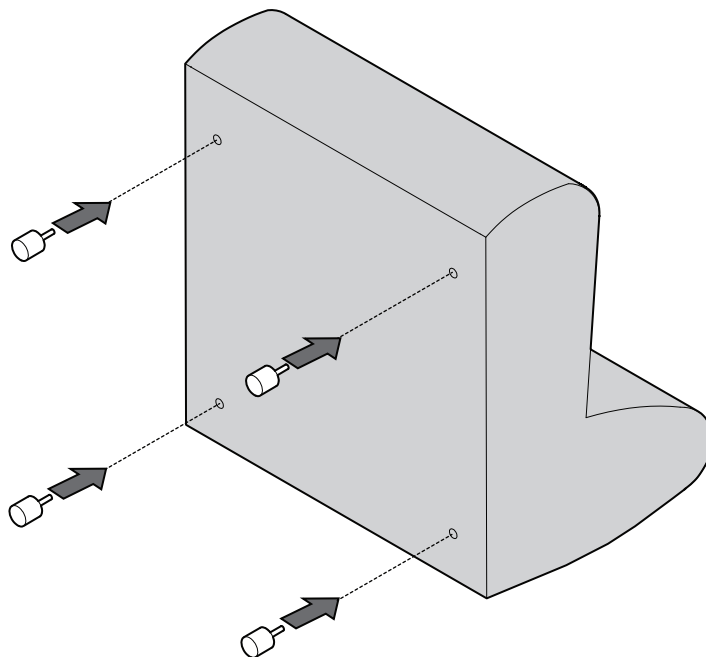
Assemble your furniture by following the instructions below.

1

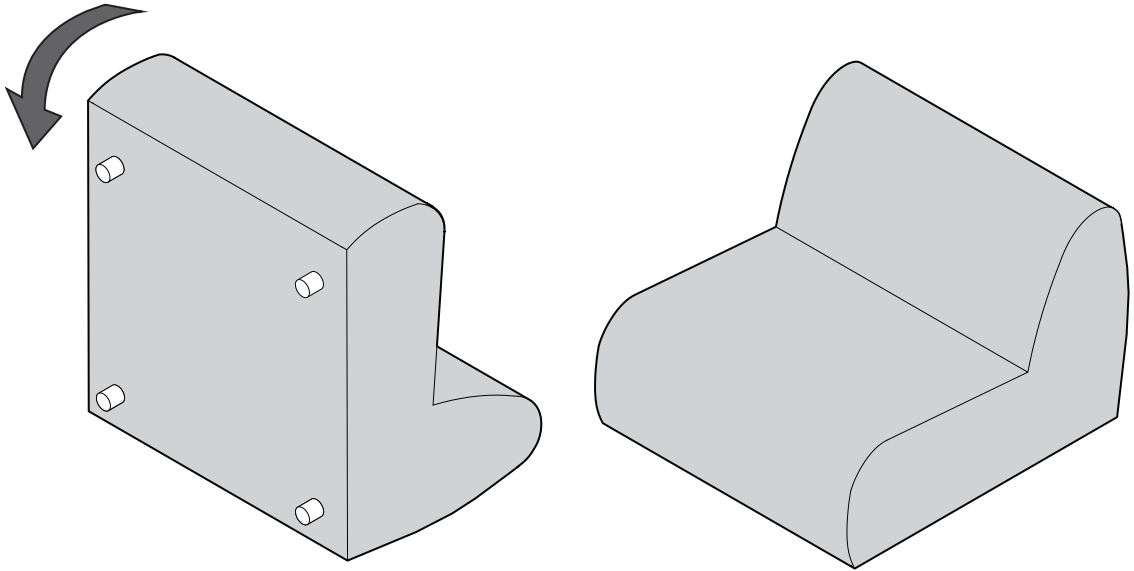


2

 x4



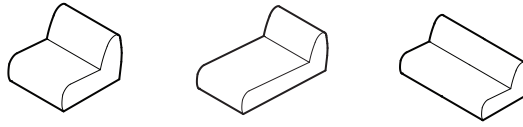
3



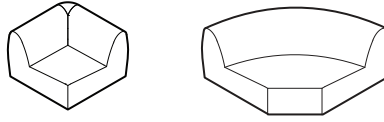
1977 Sofa

Cover Removal & Installation | User Guide

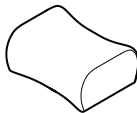
See Instruction Steps: Chair | Chaise | 2-Seater



See Instruction Steps: Corner | Curve



See Instruction Steps: Ottoman

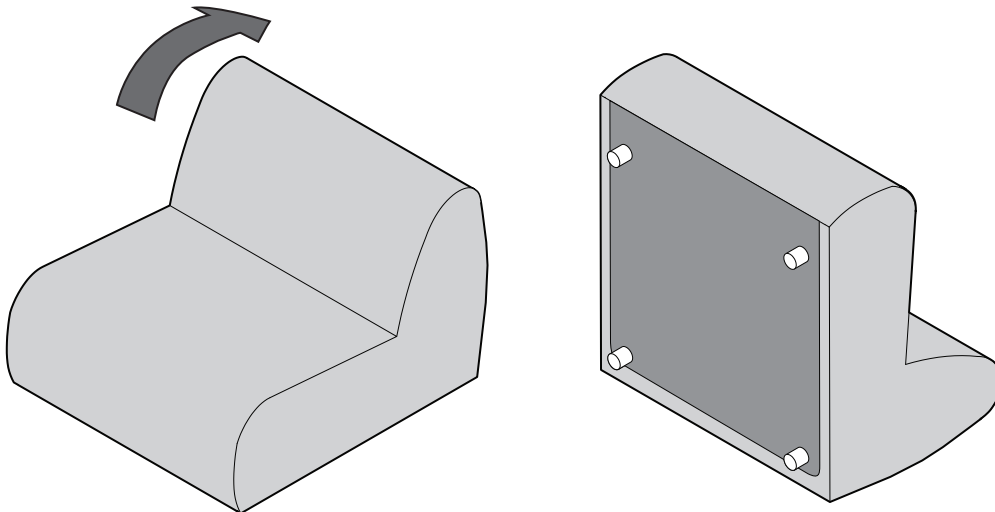


See Instruction Steps: High Back

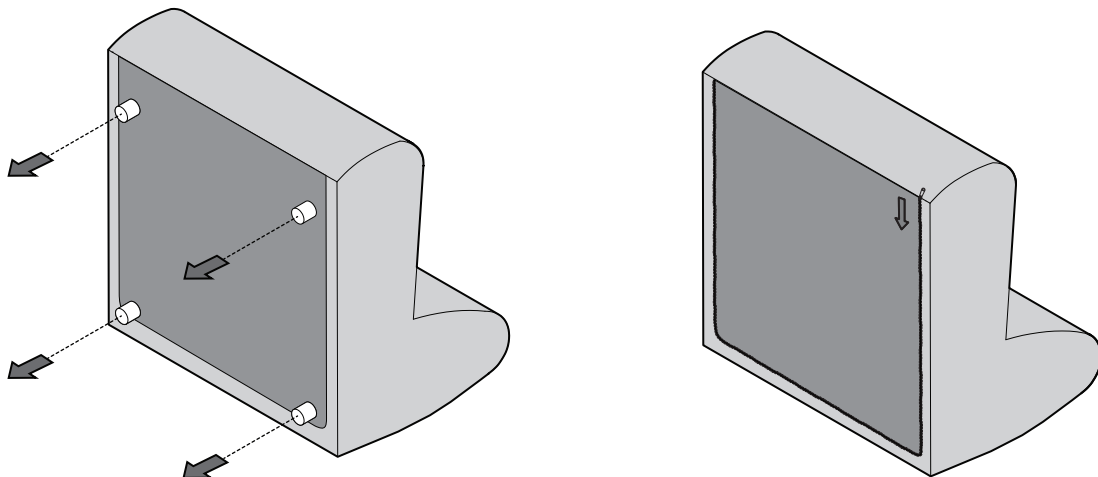


Cover Removal: Chair | Chaise | 2-Seater

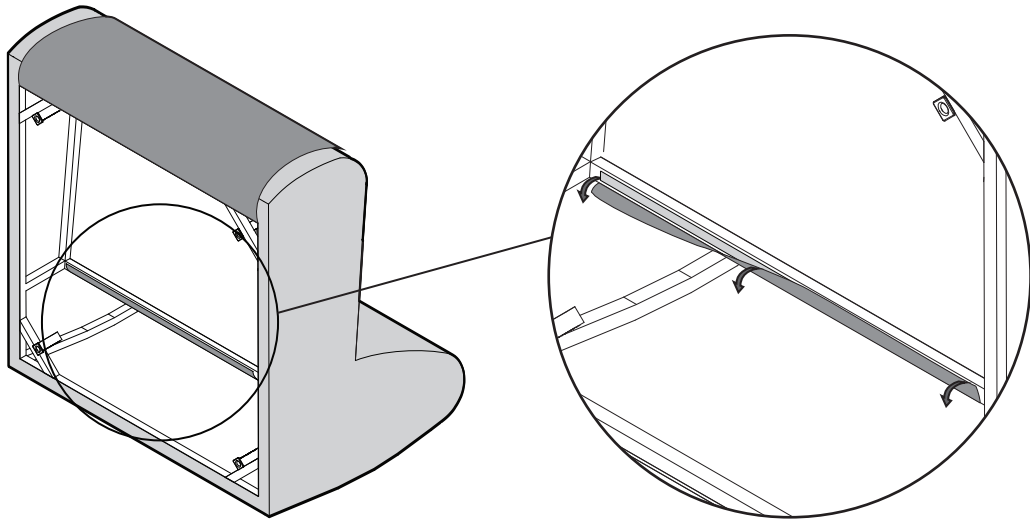
1



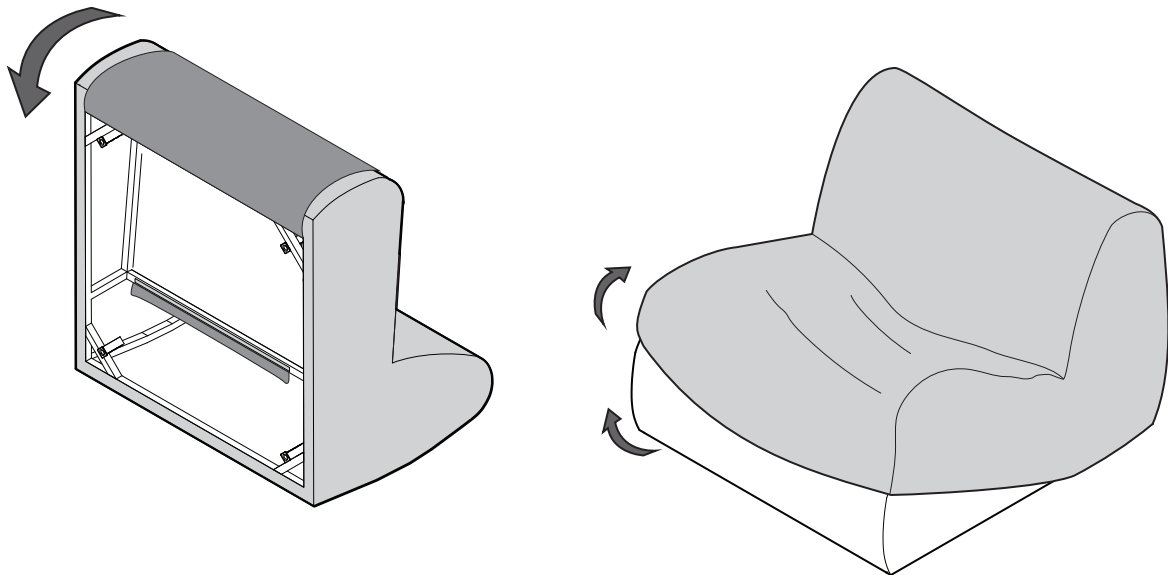
2



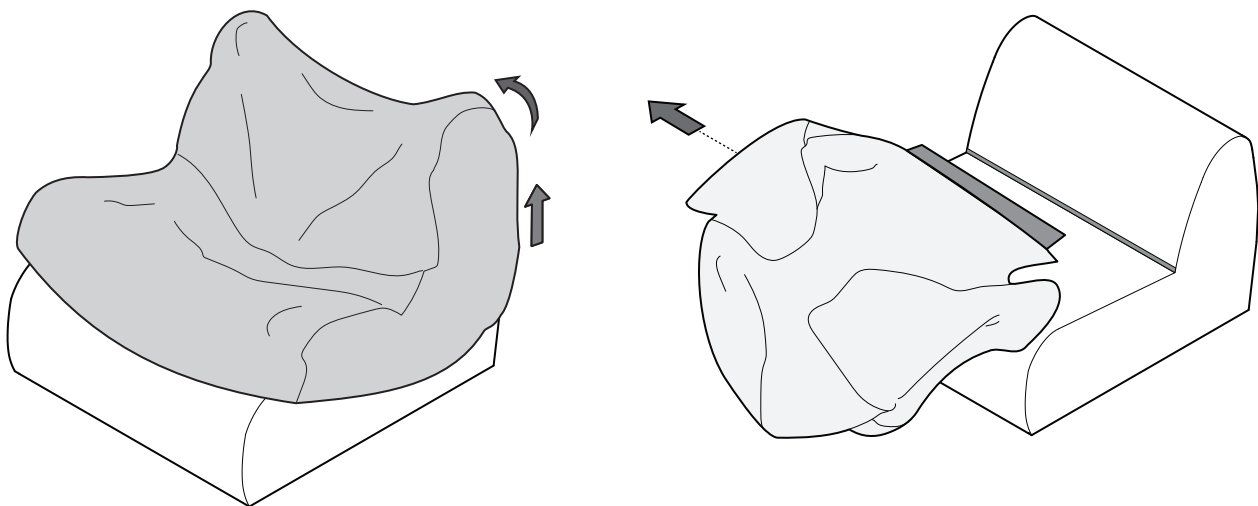
3



4

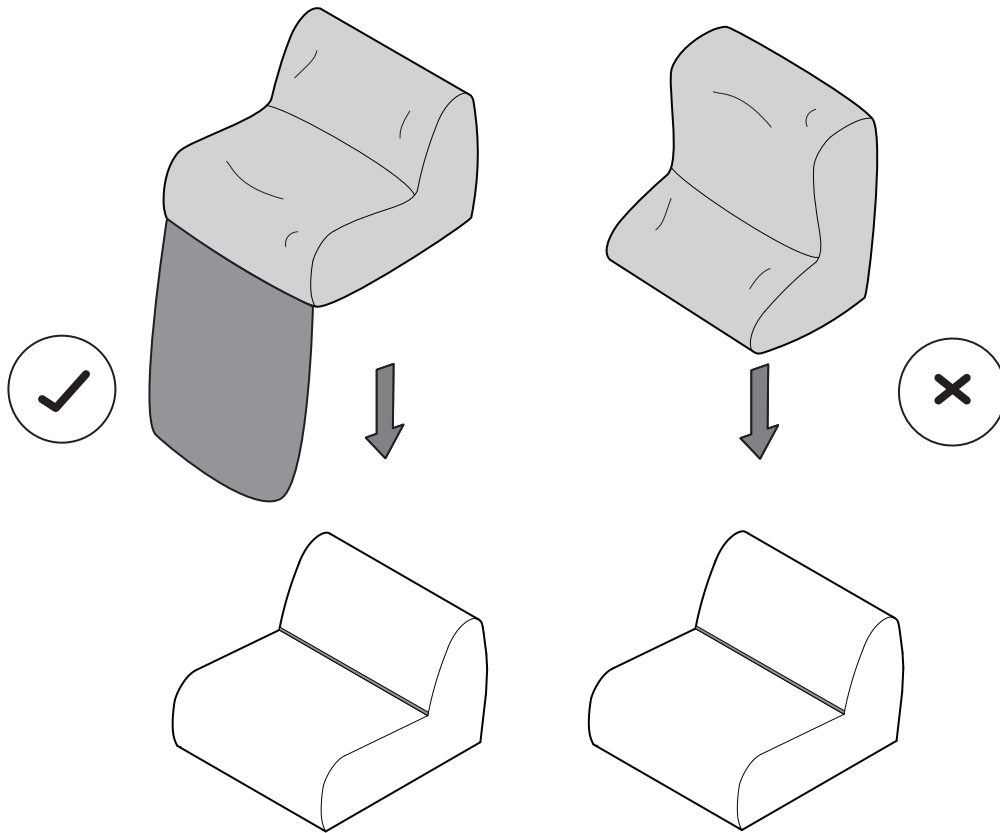


5



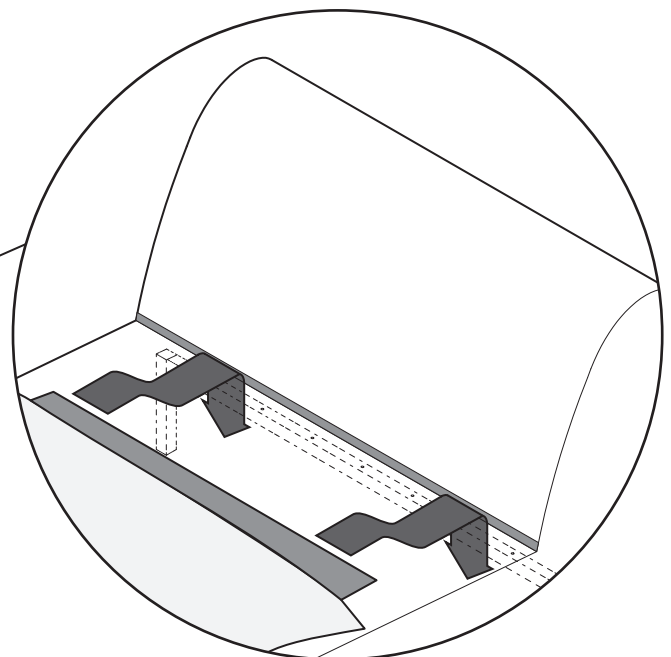
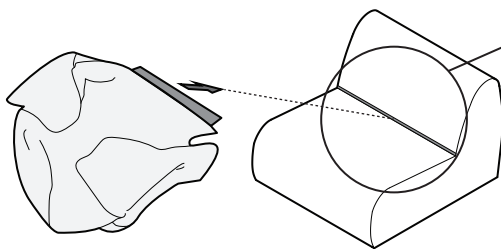
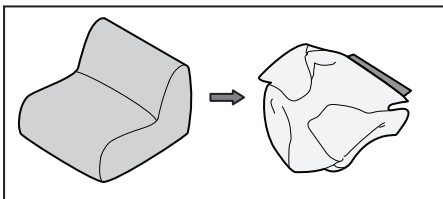
Cover Installation: Chair | Chaise | 2-Seater

1

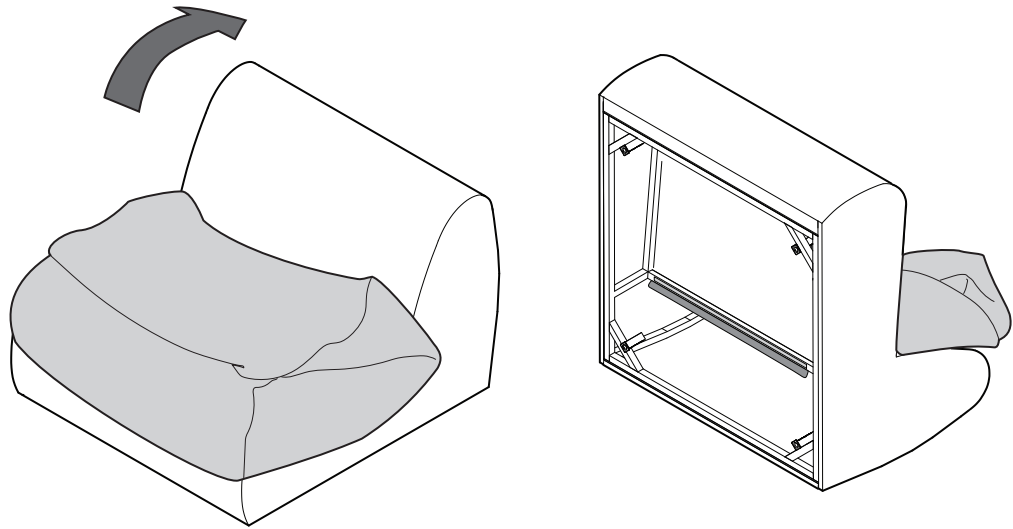


Line up side panels of cover and module before applying cover

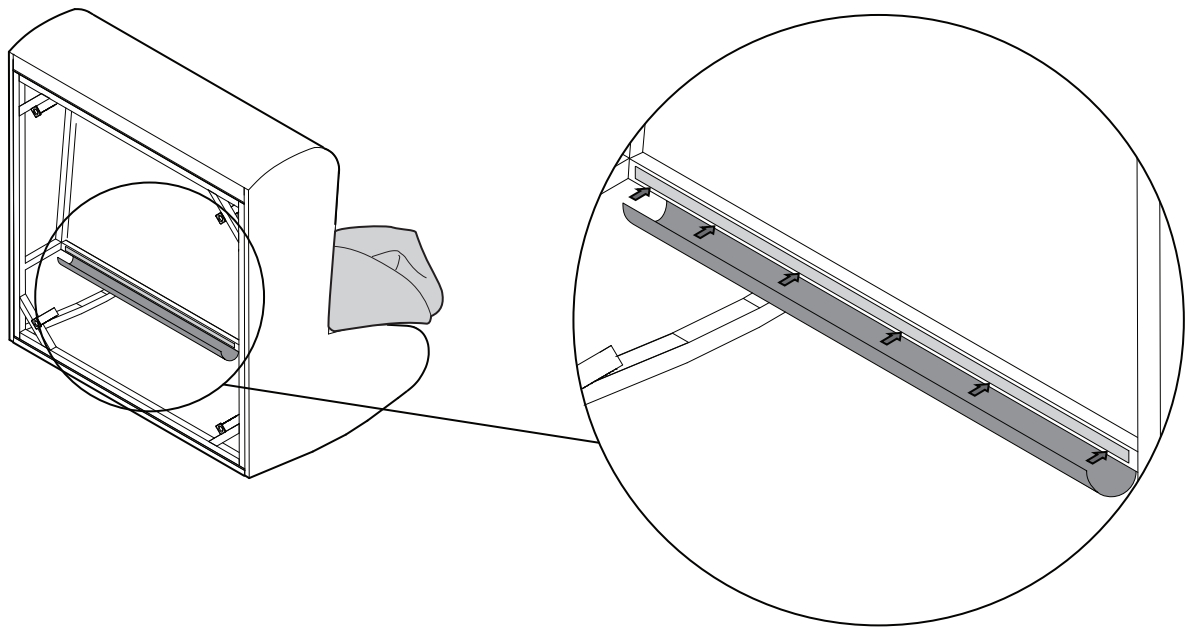
2



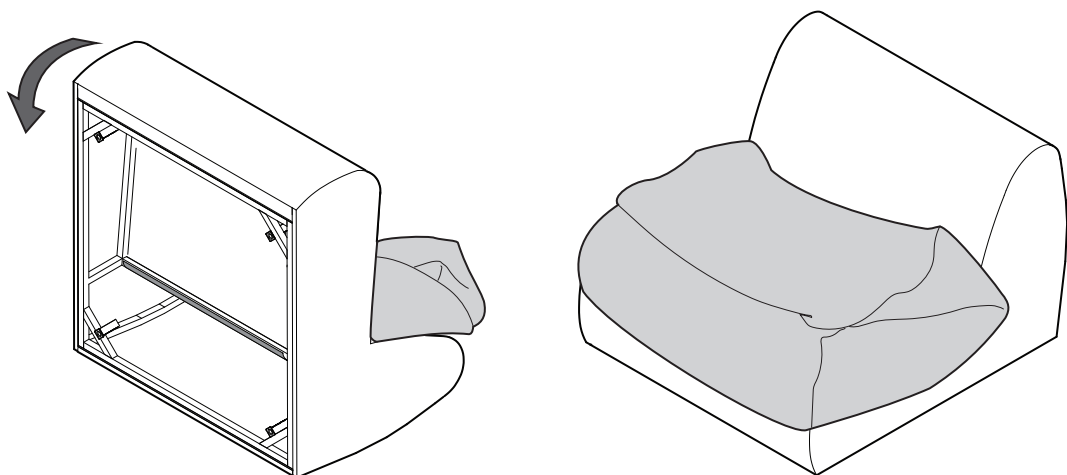
3



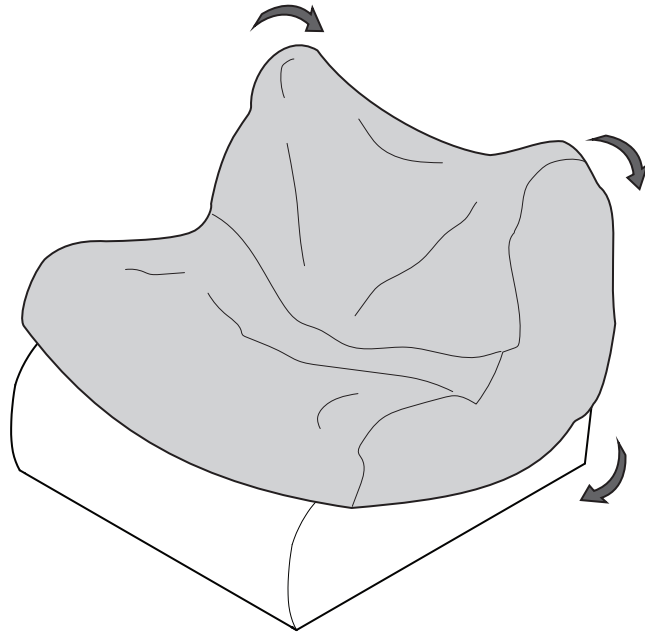
4



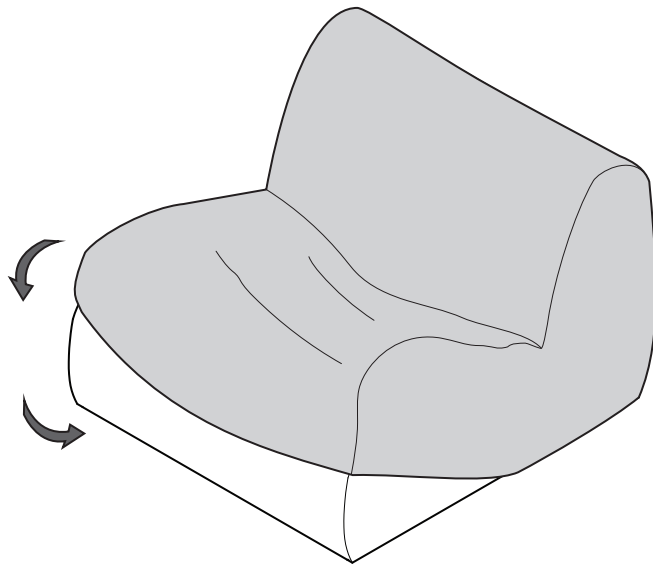
5



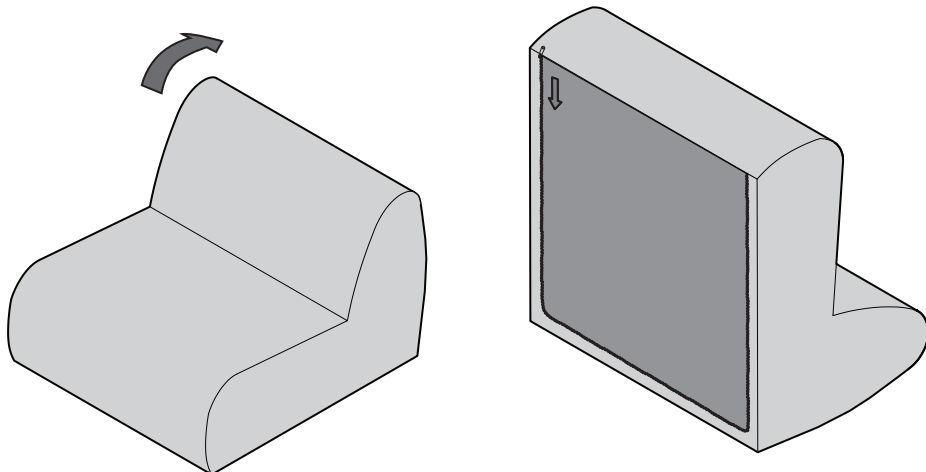
6



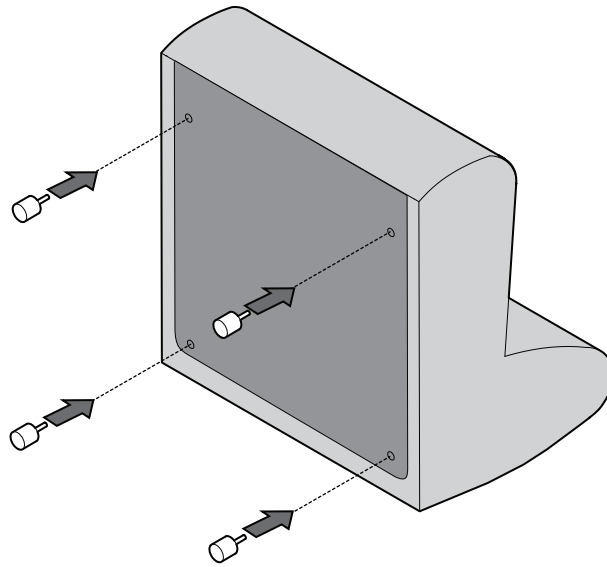
7



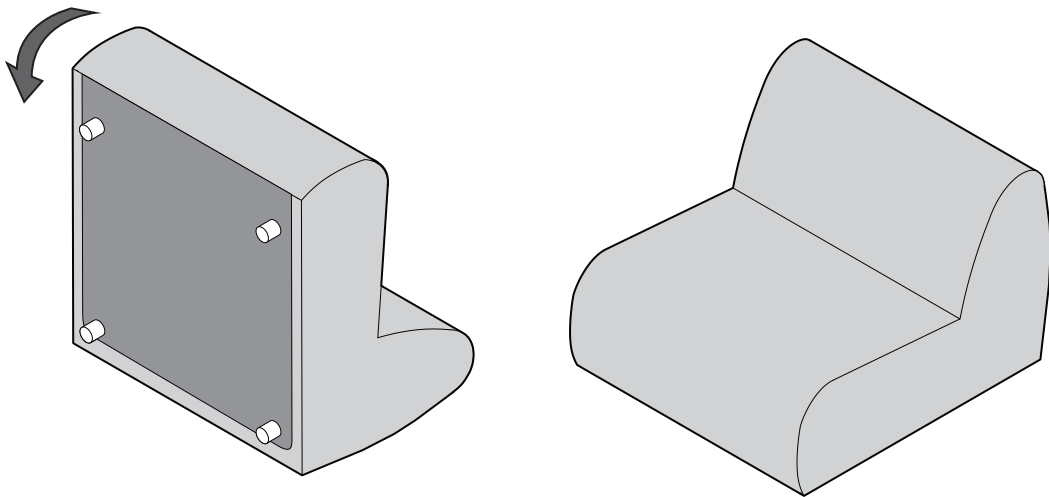
8



9

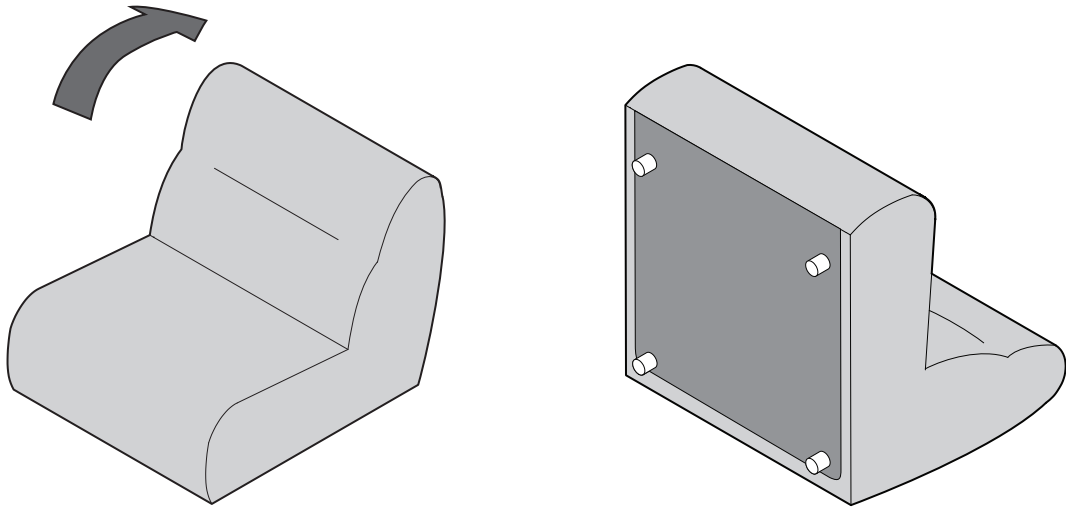


10

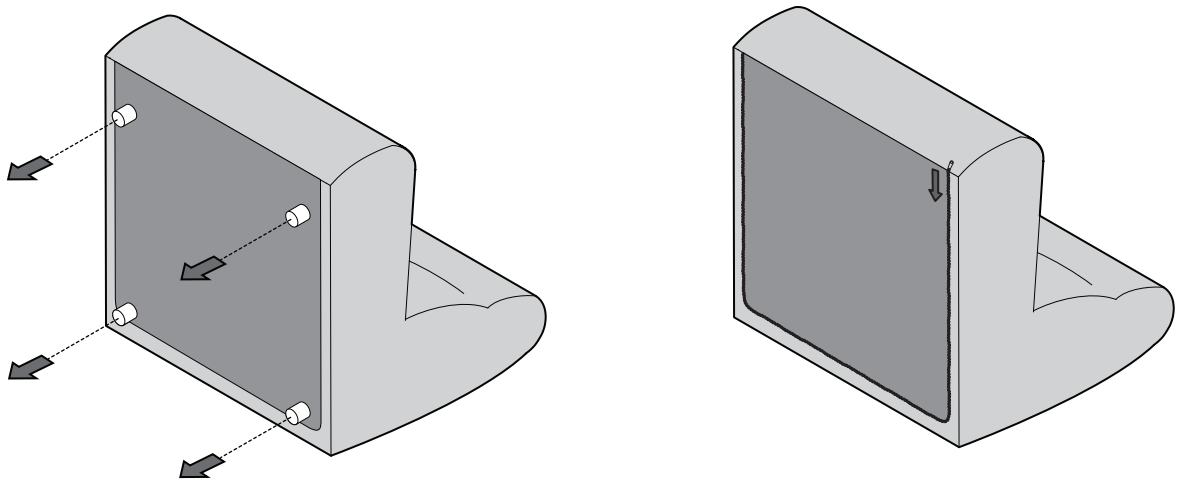


Cover Removal: High Back

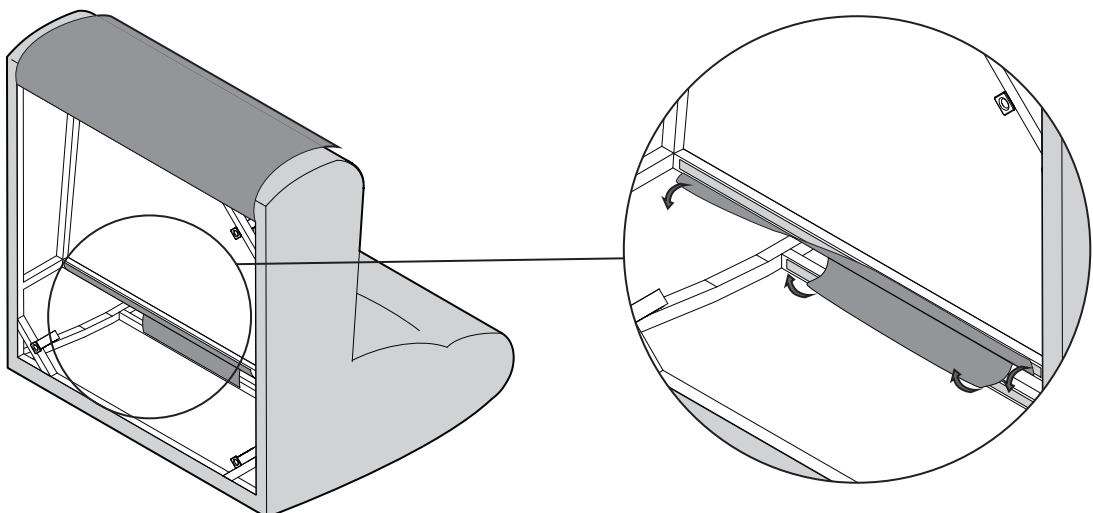
1



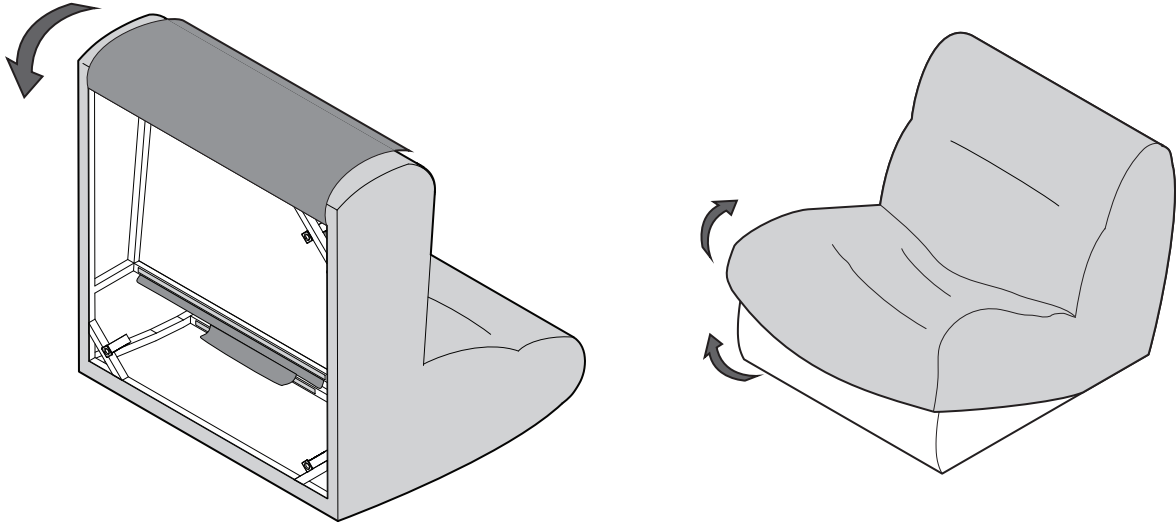
2



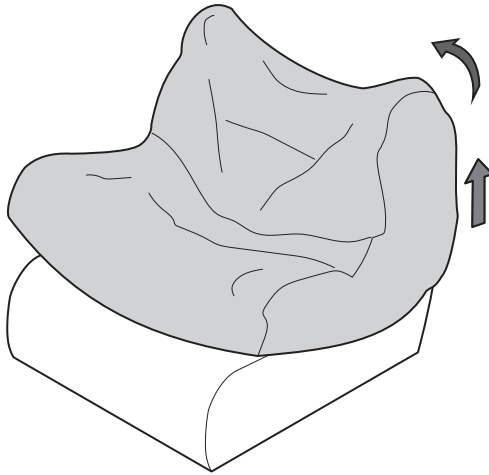
3



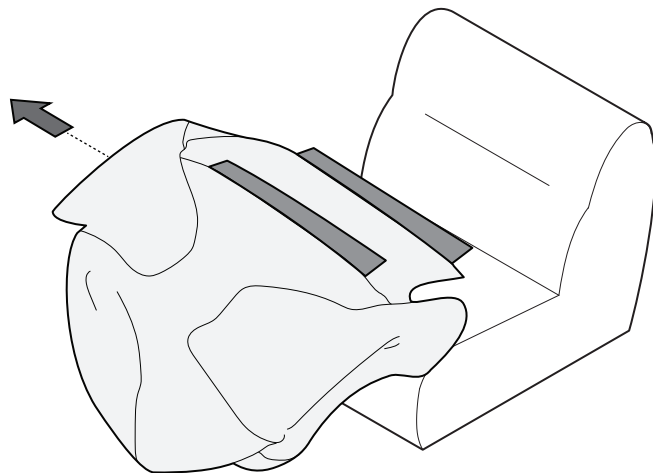
4



5

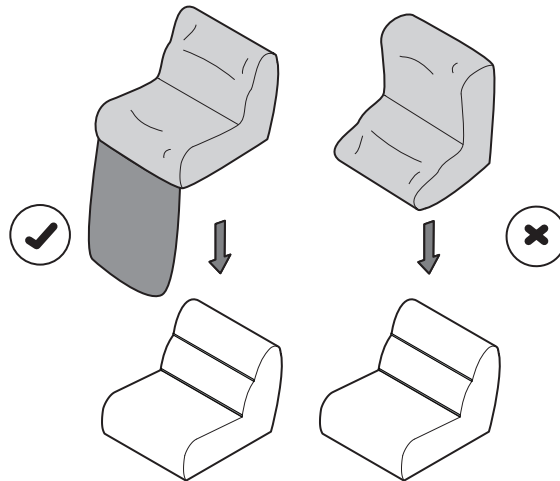


6



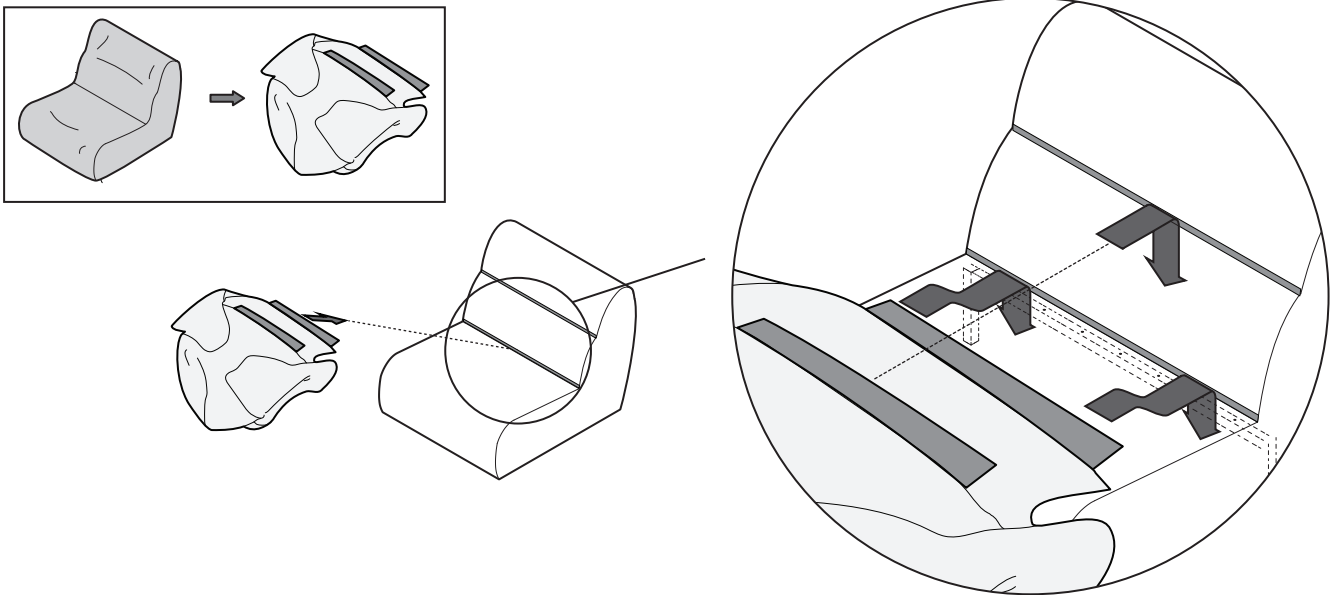
Cover Installation: High Back

1

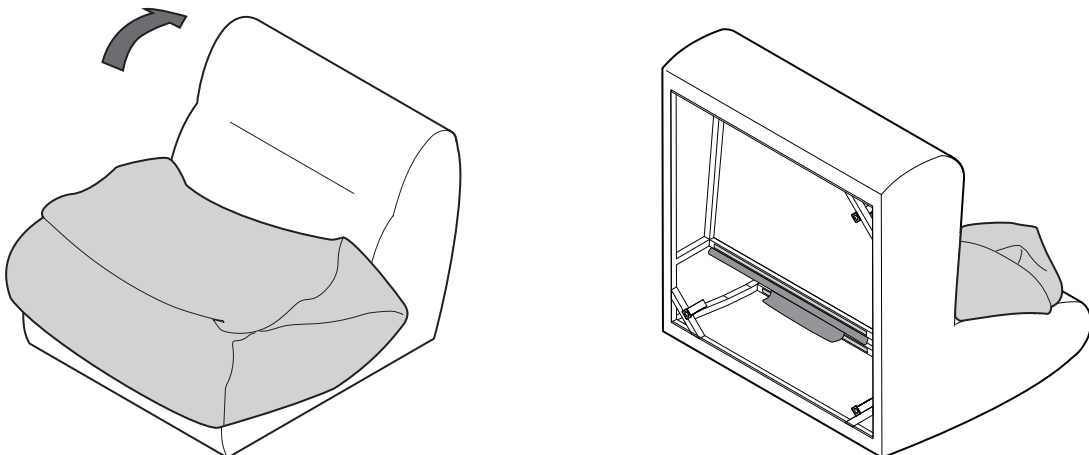


Line up side panels of cover and module before applying cover

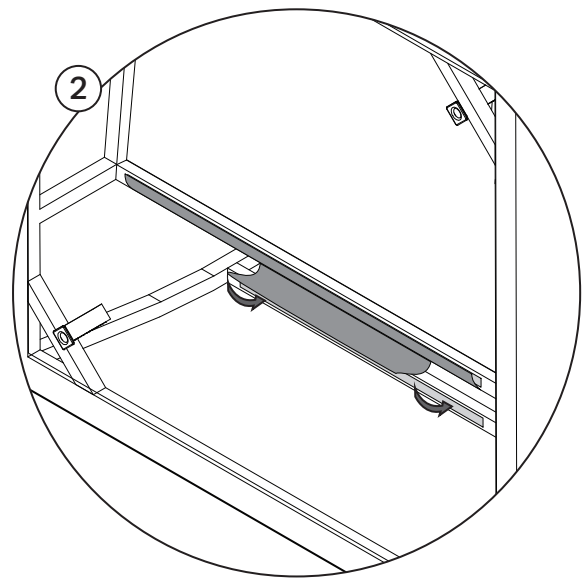
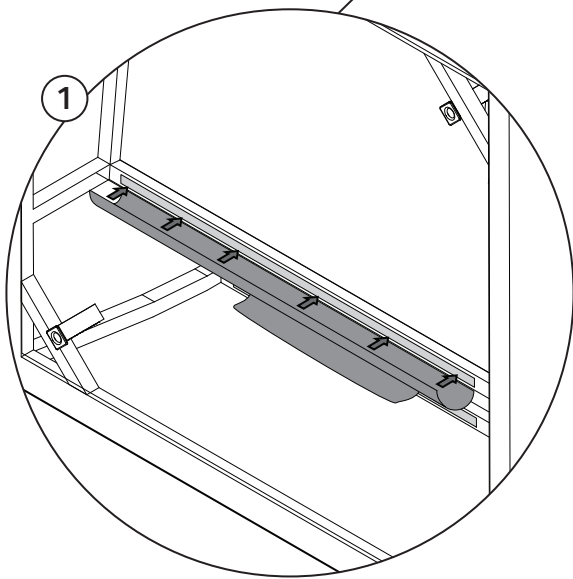
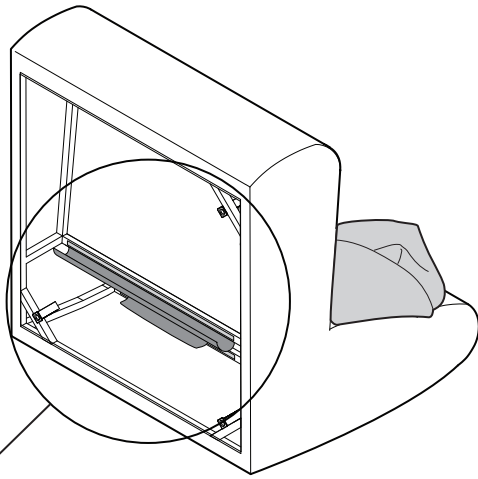
2



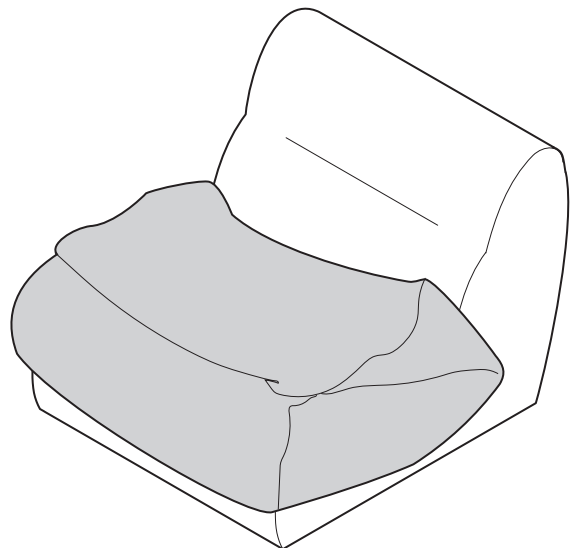
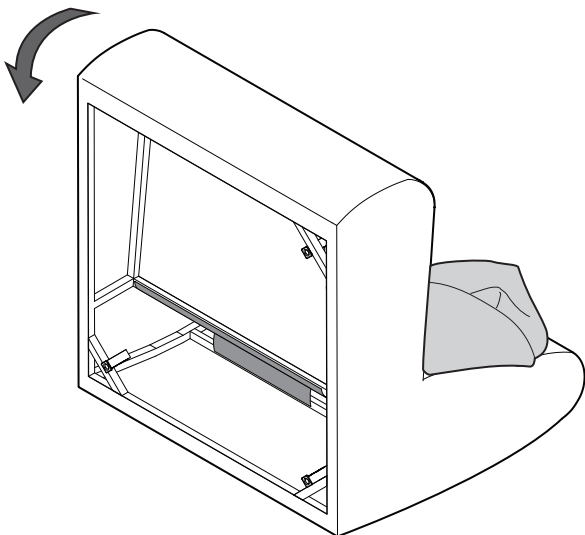
3



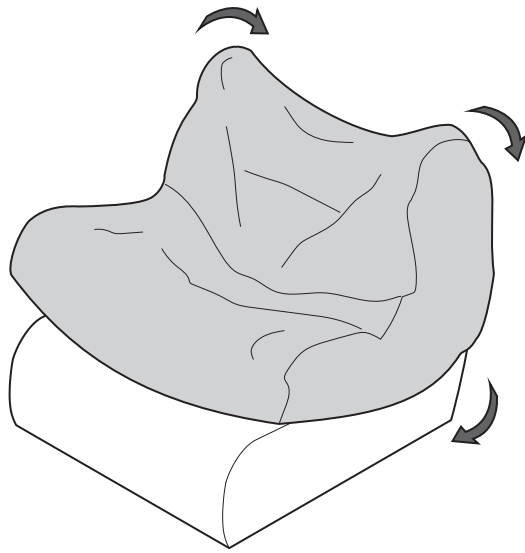
4



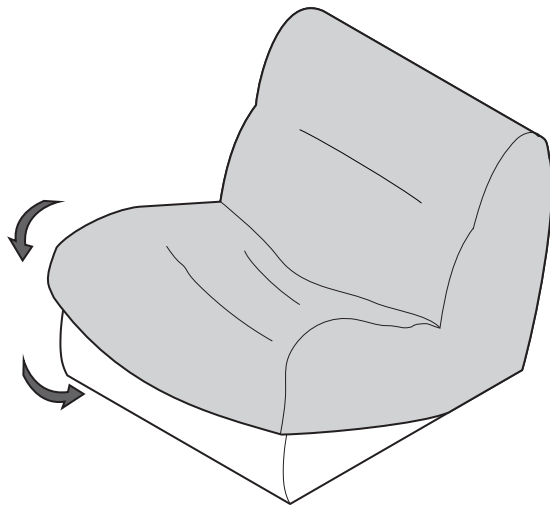
5



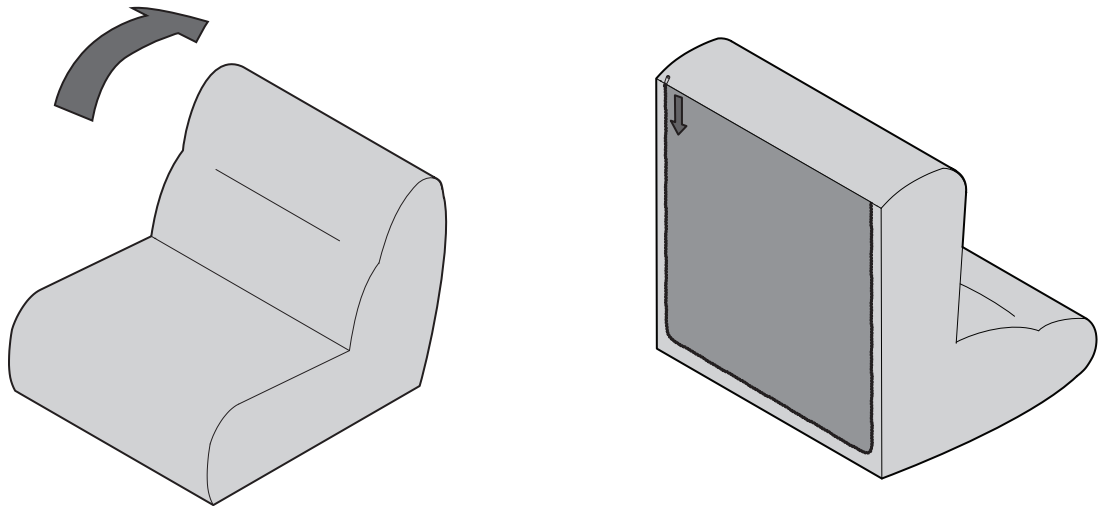
6



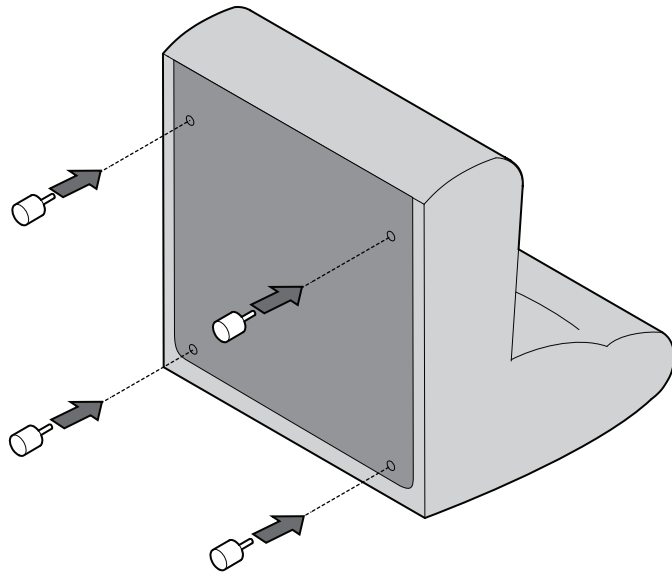
7



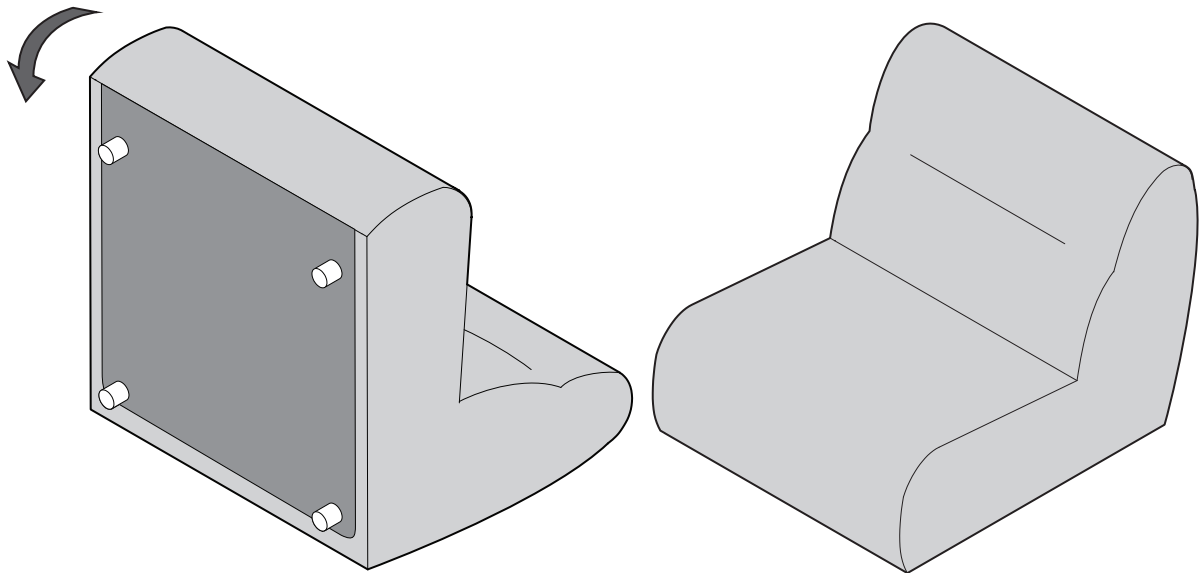
8



9

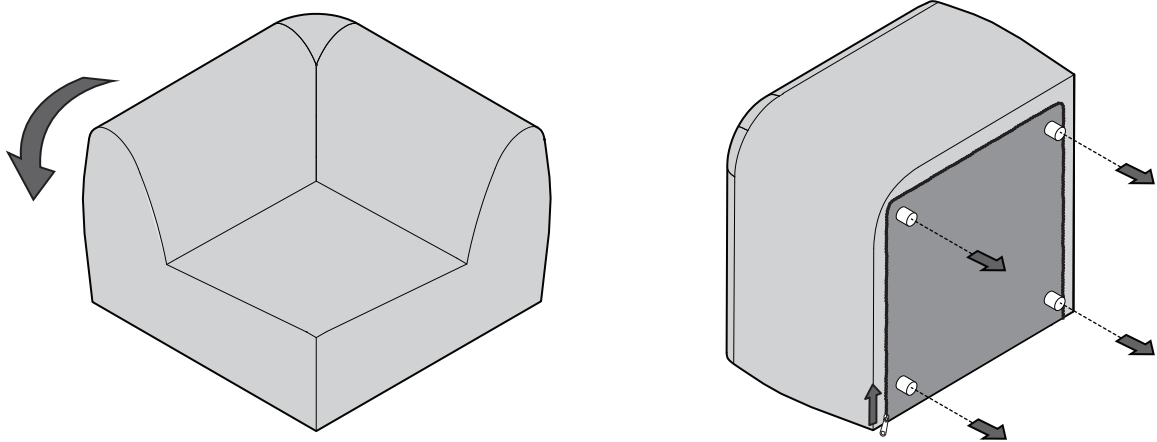


10

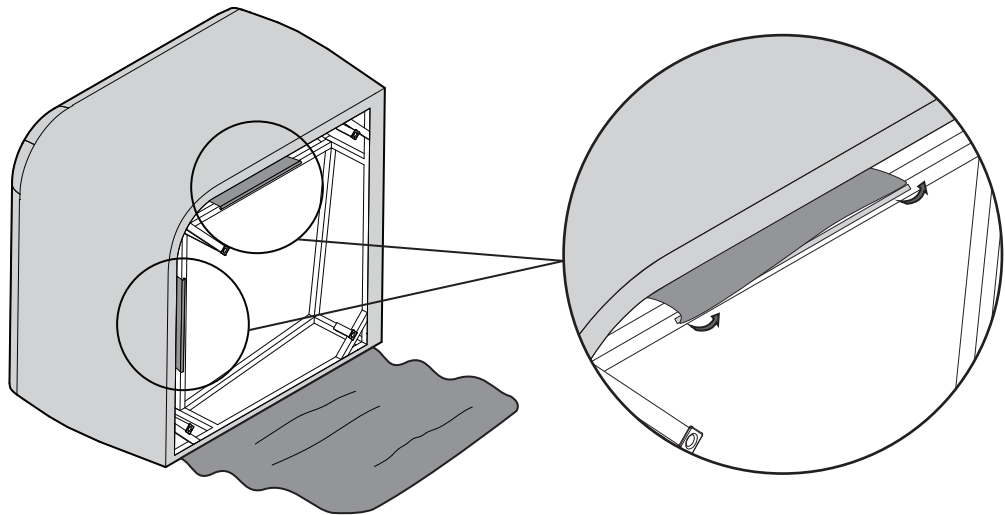


Cover Removal: Corner

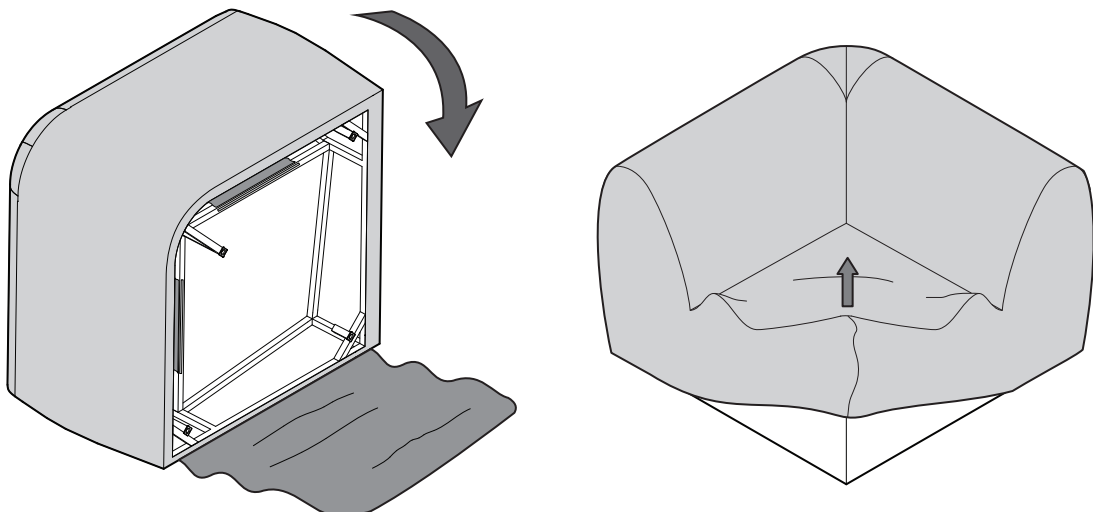
1



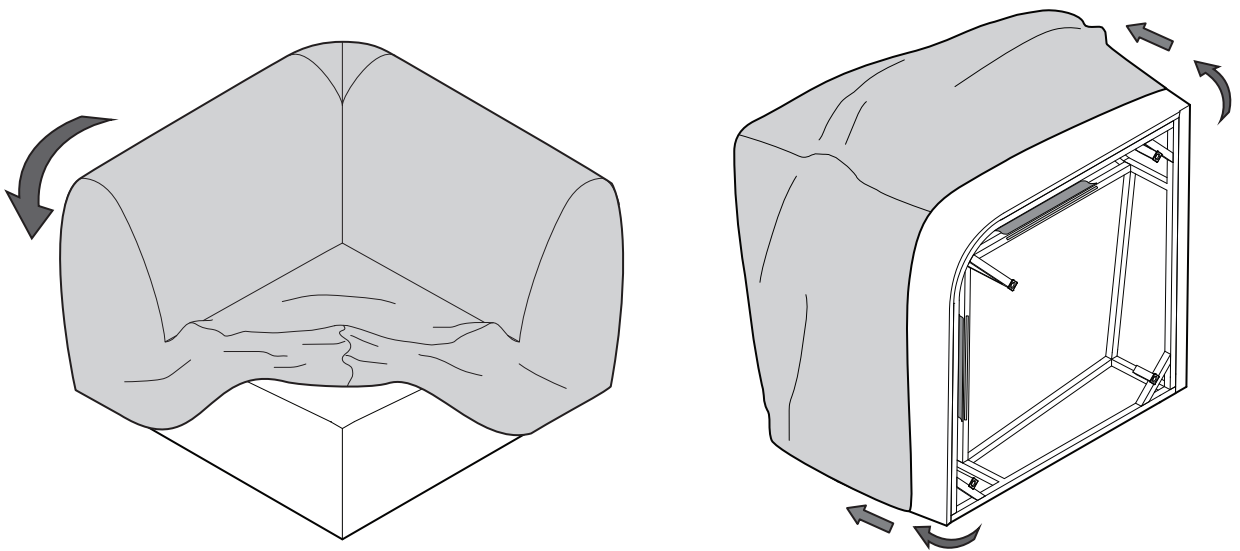
2



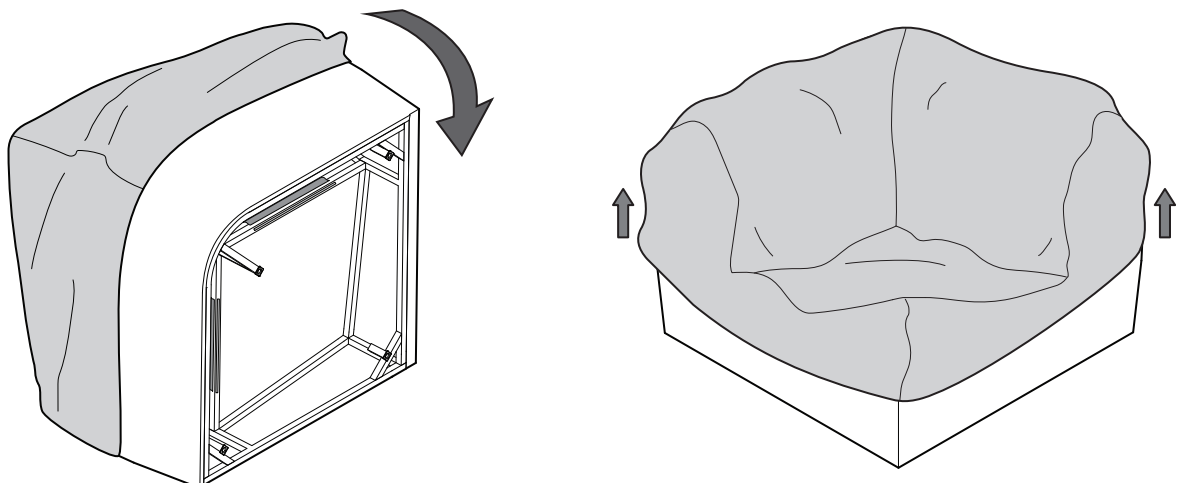
3



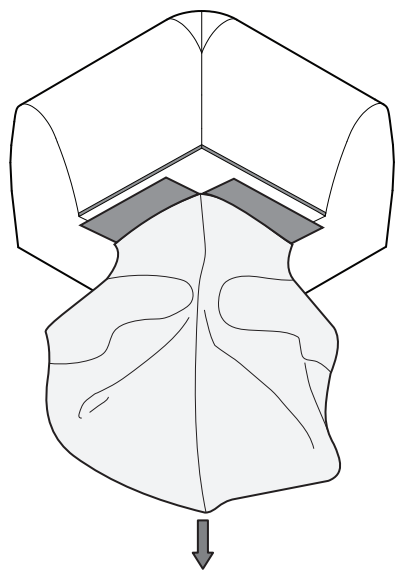
4



5

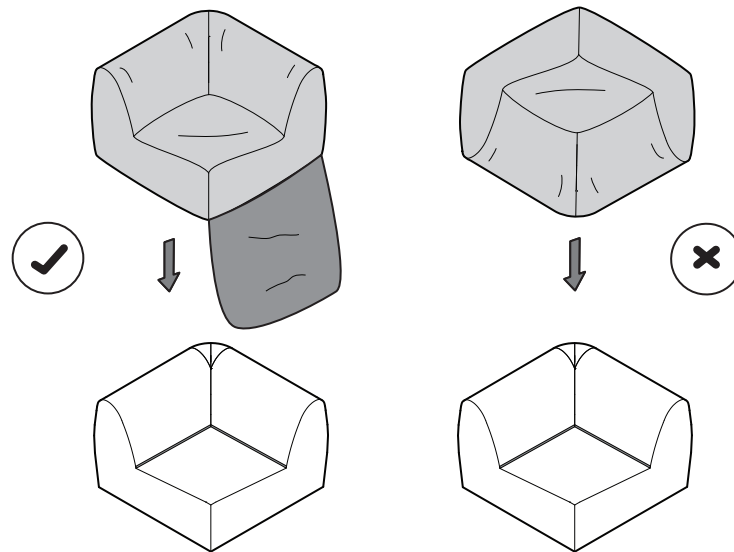


6



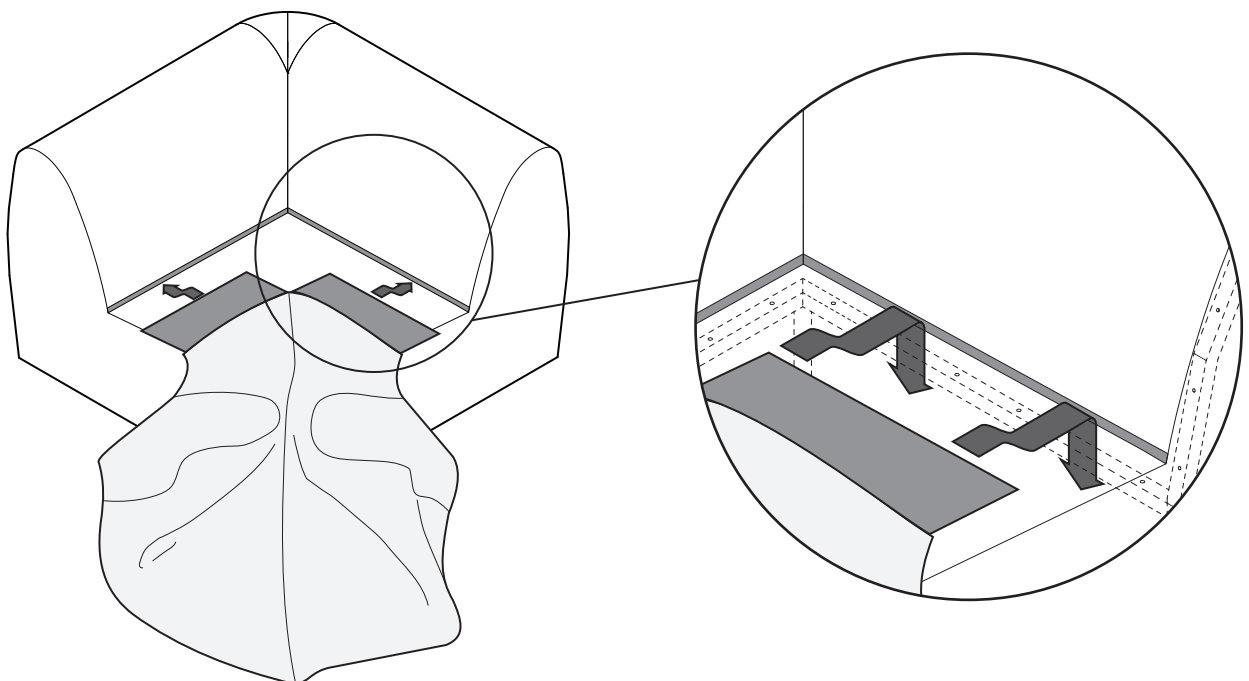
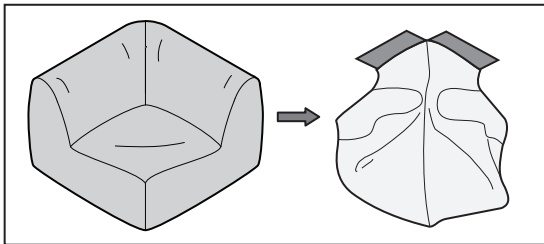
Cover Installation: Corner

1

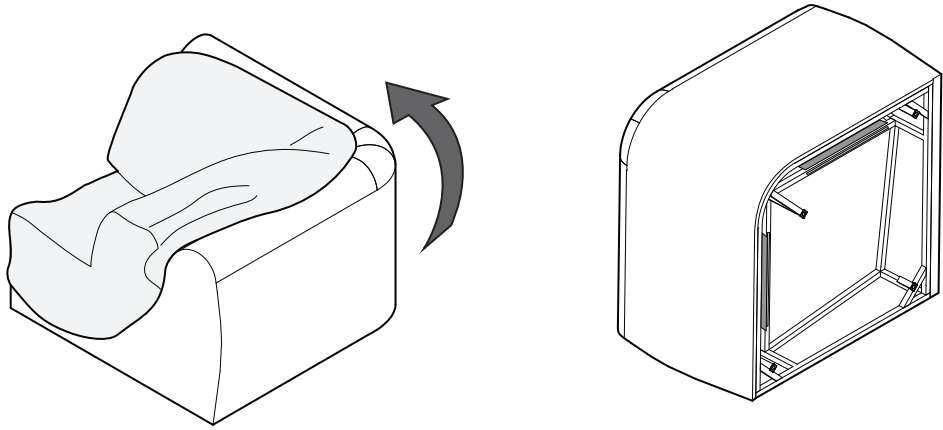


Line up side panels of cover and module before applying cover

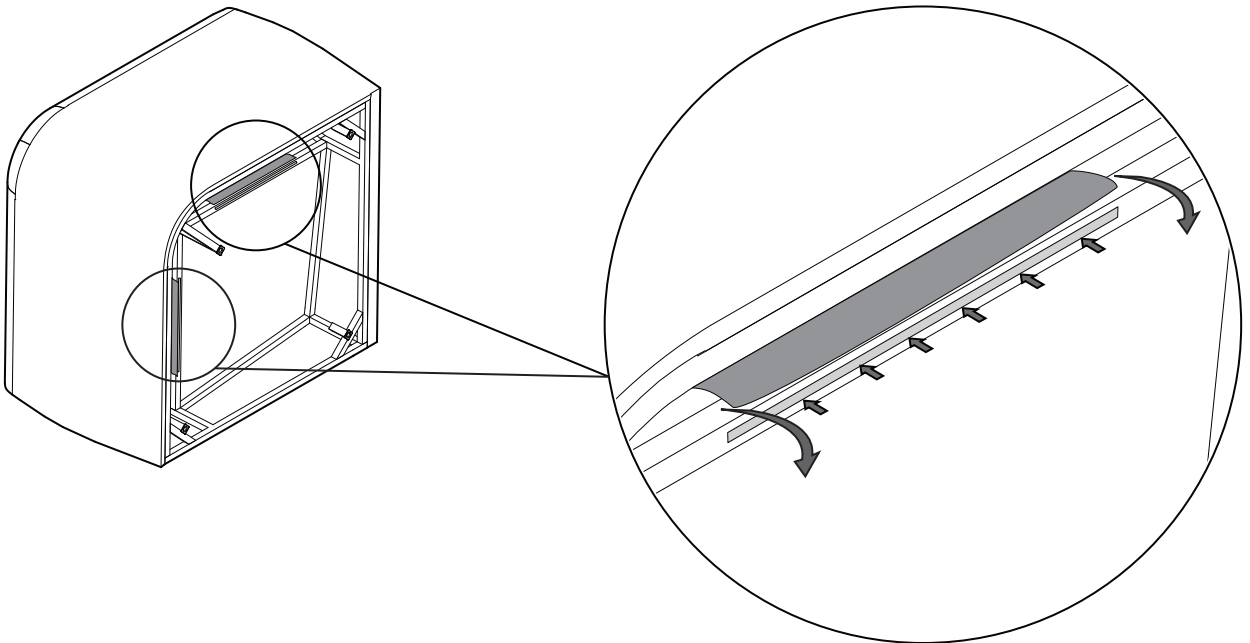
2



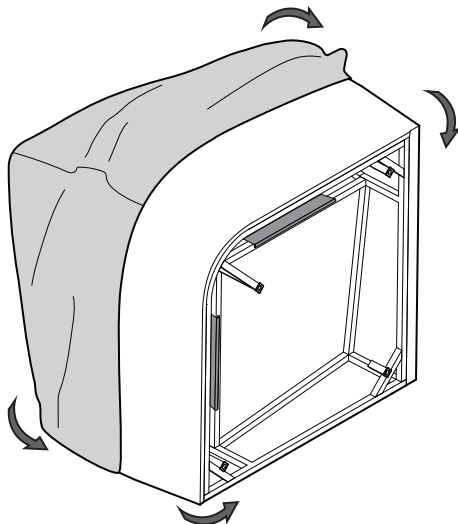
3



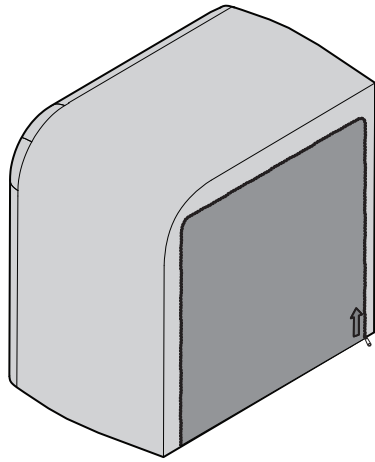
4



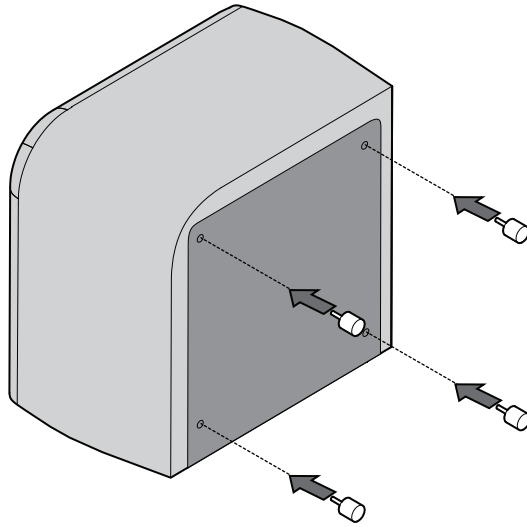
5



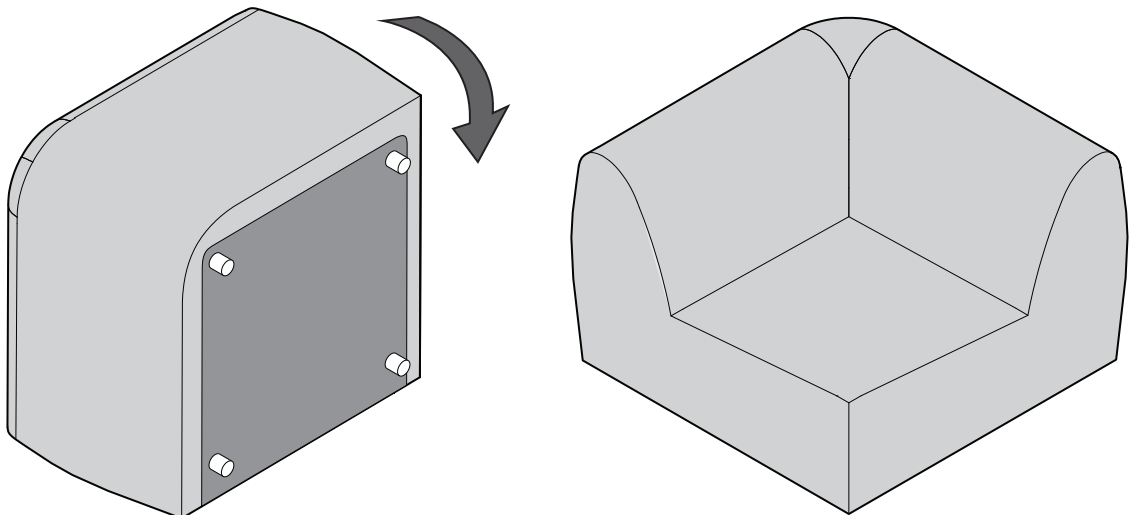
6



7

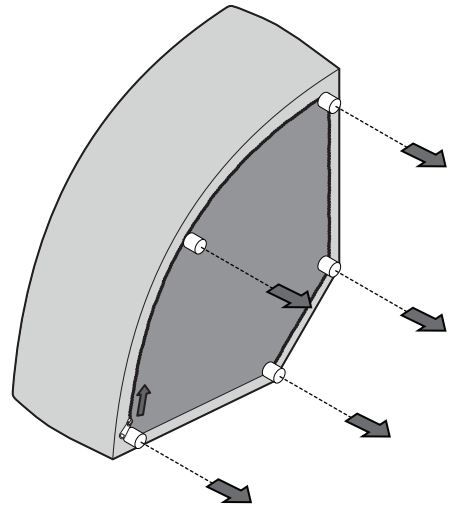
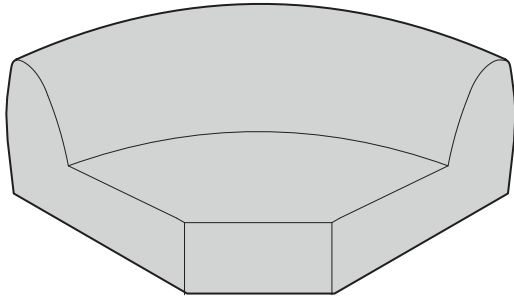


8

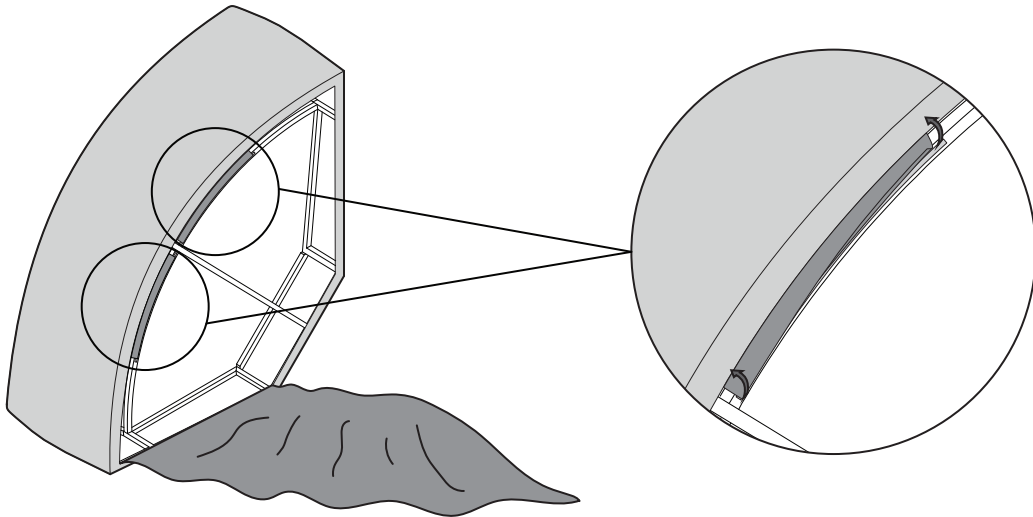


Cover Removal: Curve

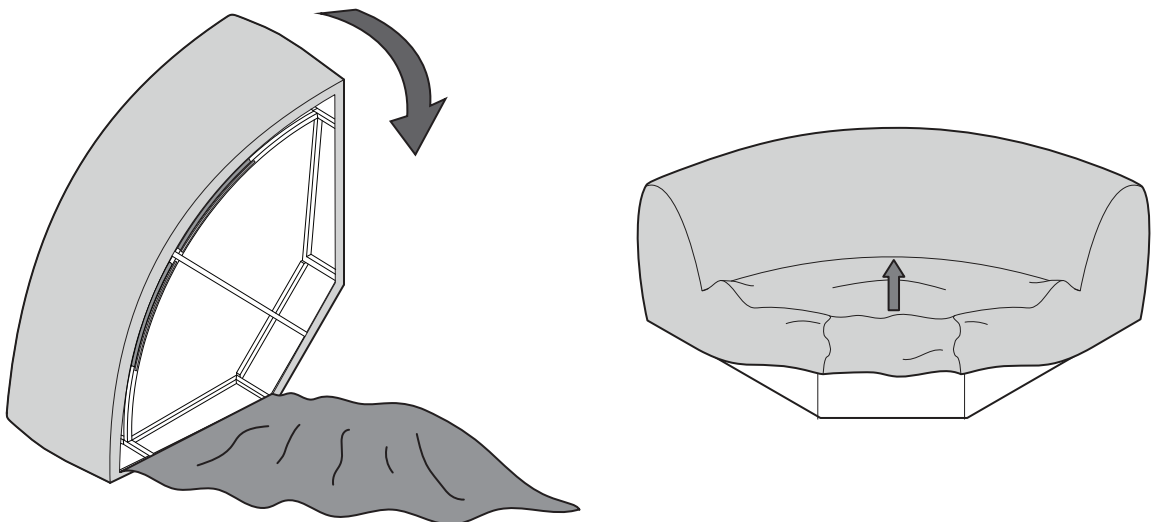
1



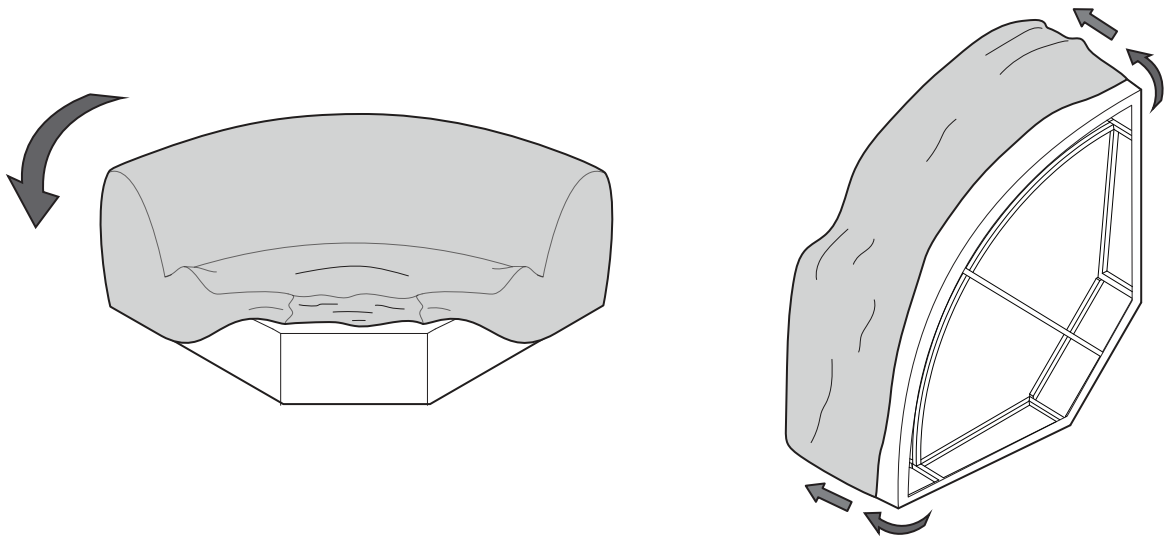
2



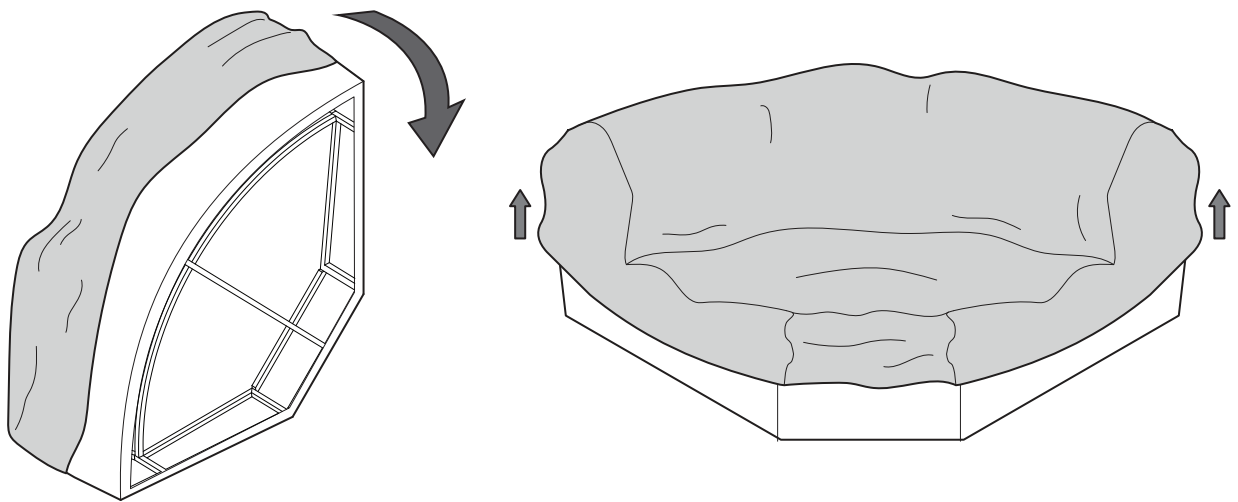
3



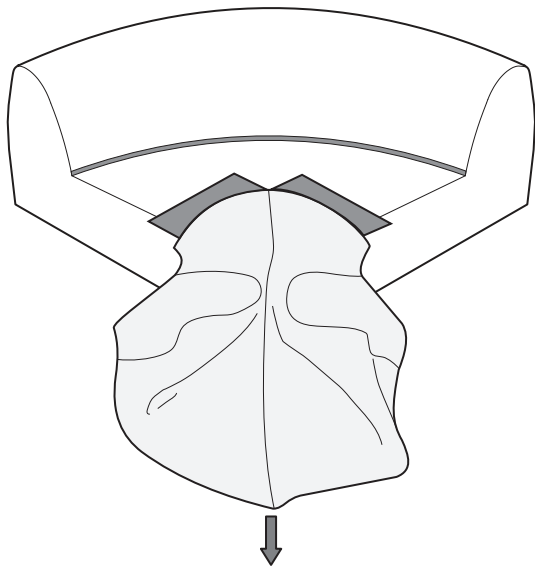
4



5

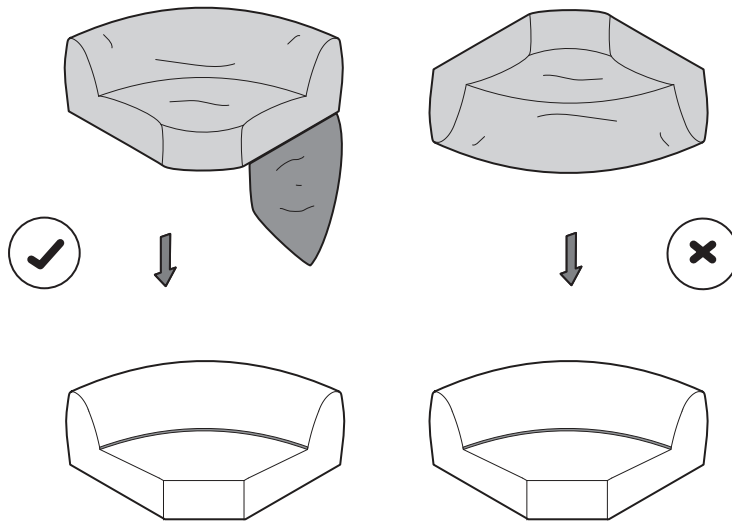


6



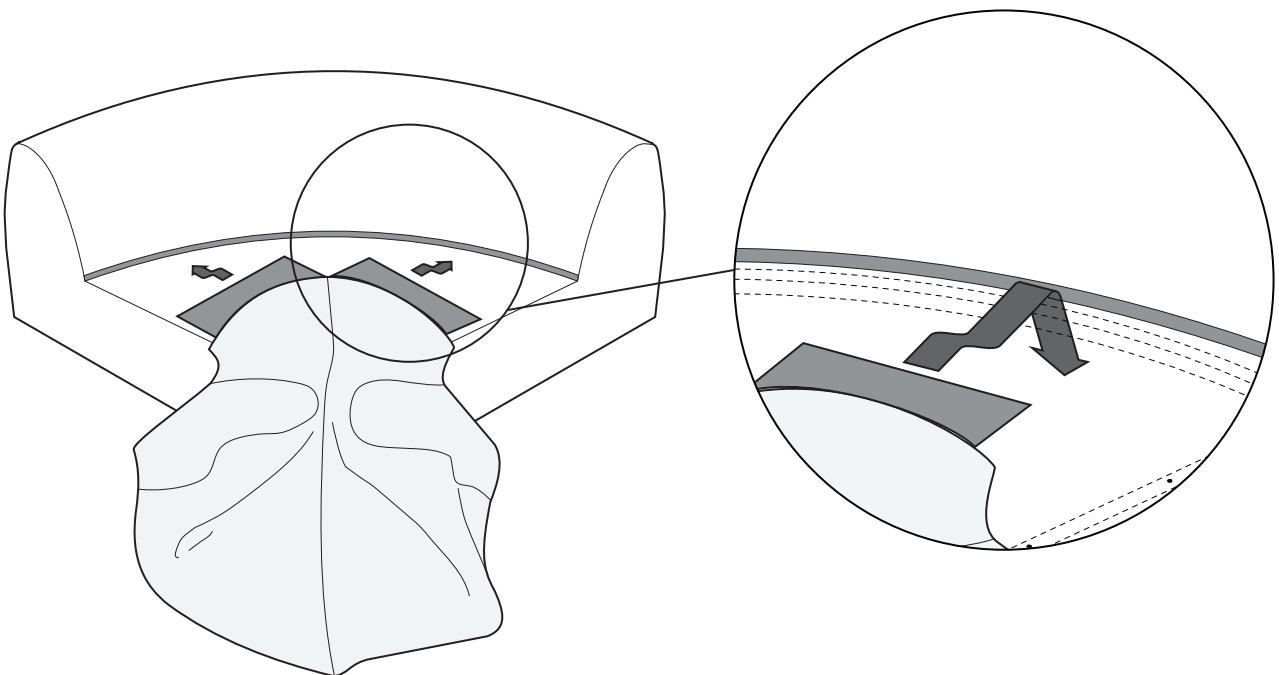
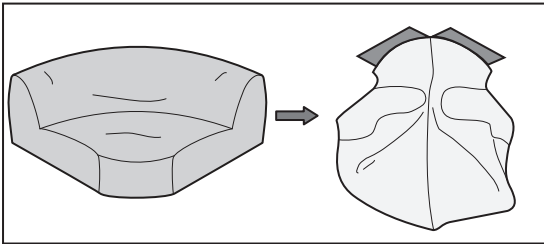
Cover Installation: Curve

1

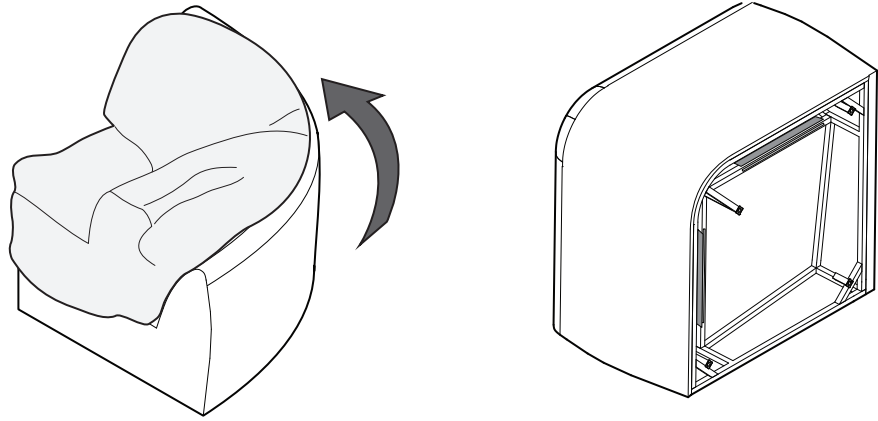


Line up side panels of cover and module before applying cover

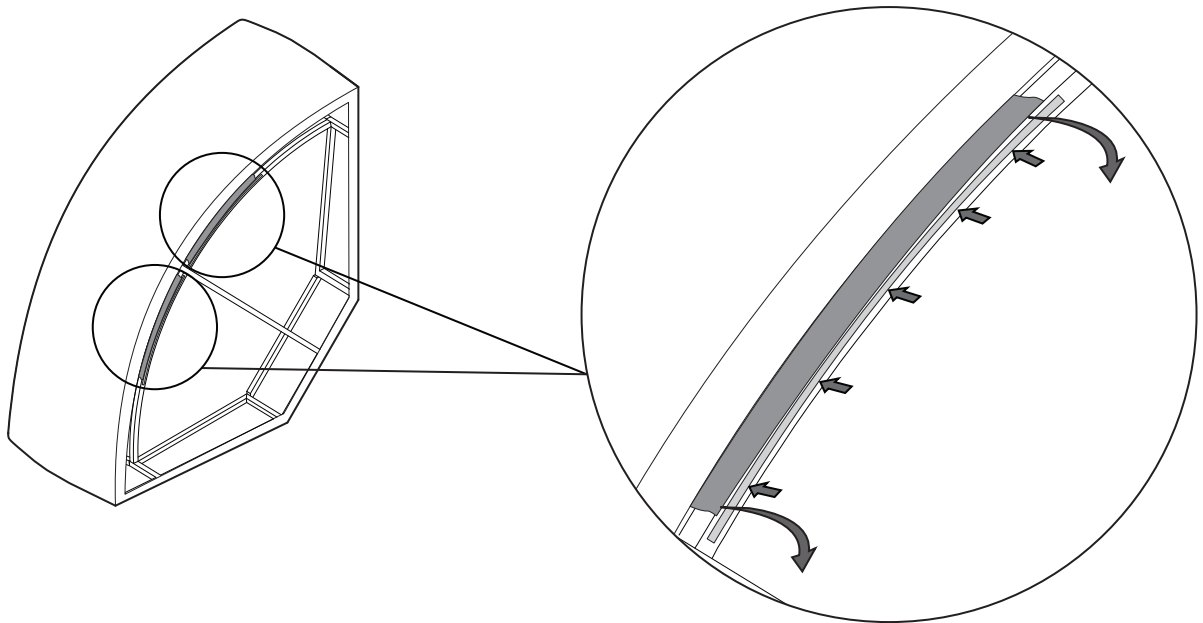
2



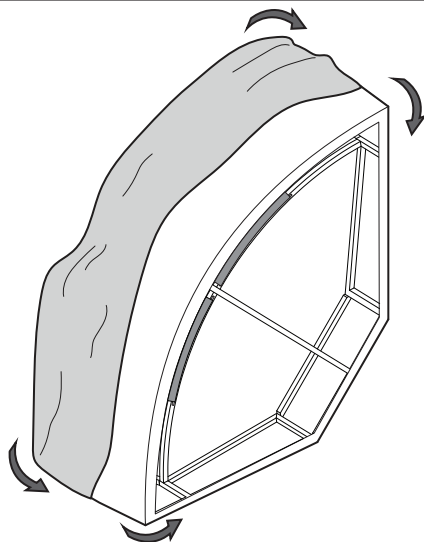
3



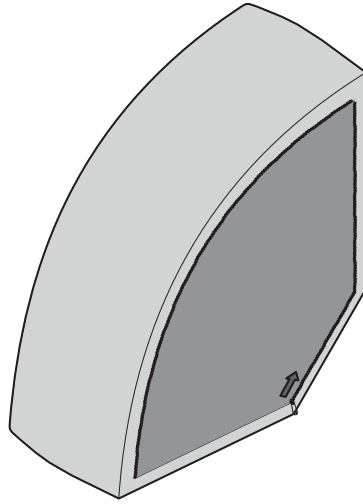
4



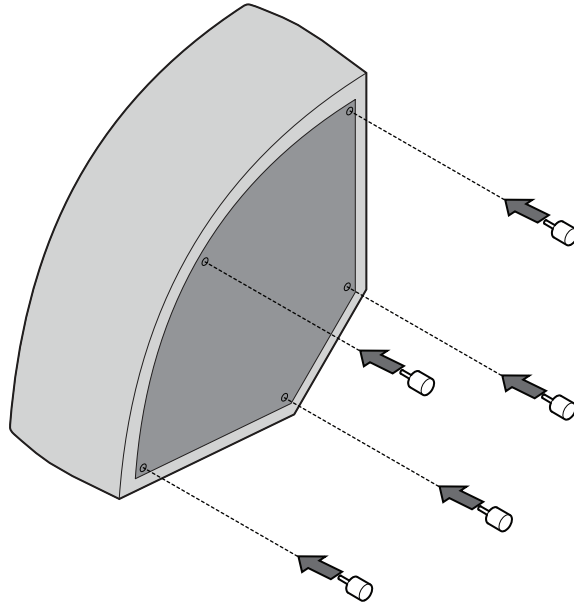
5



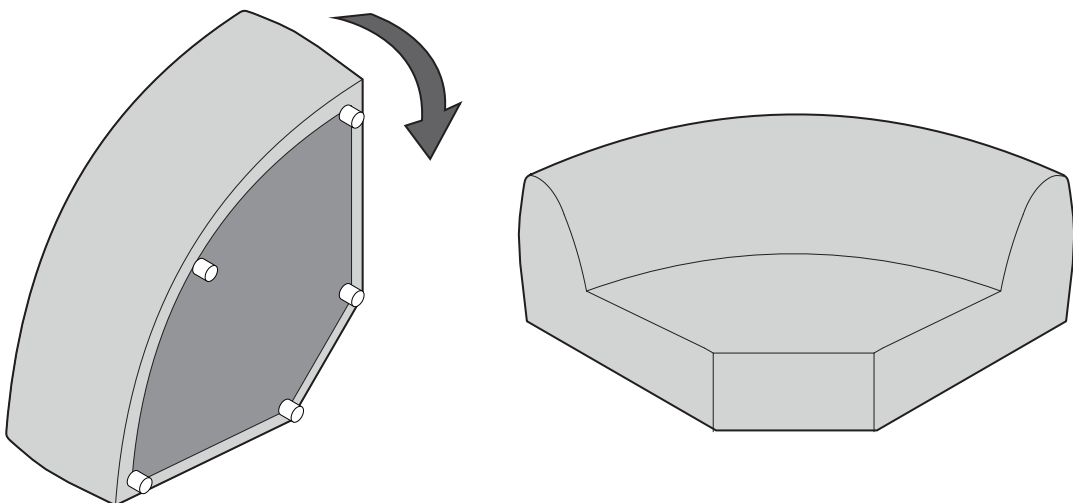
6



7

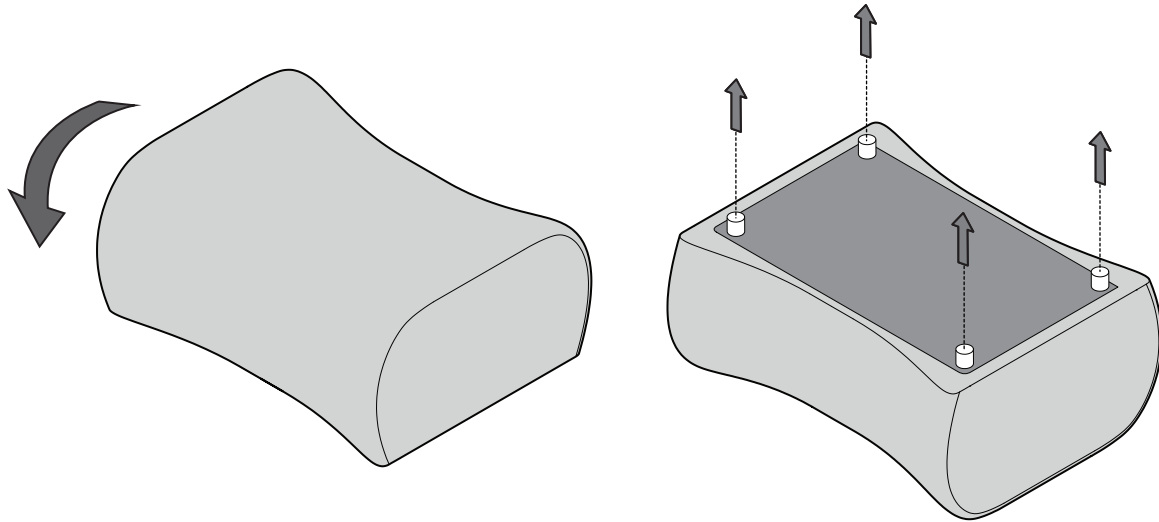


8

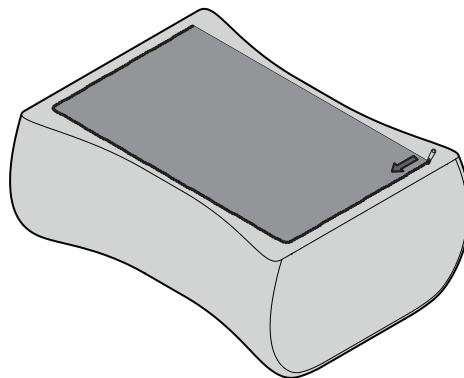


Cover Removal: Ottoman

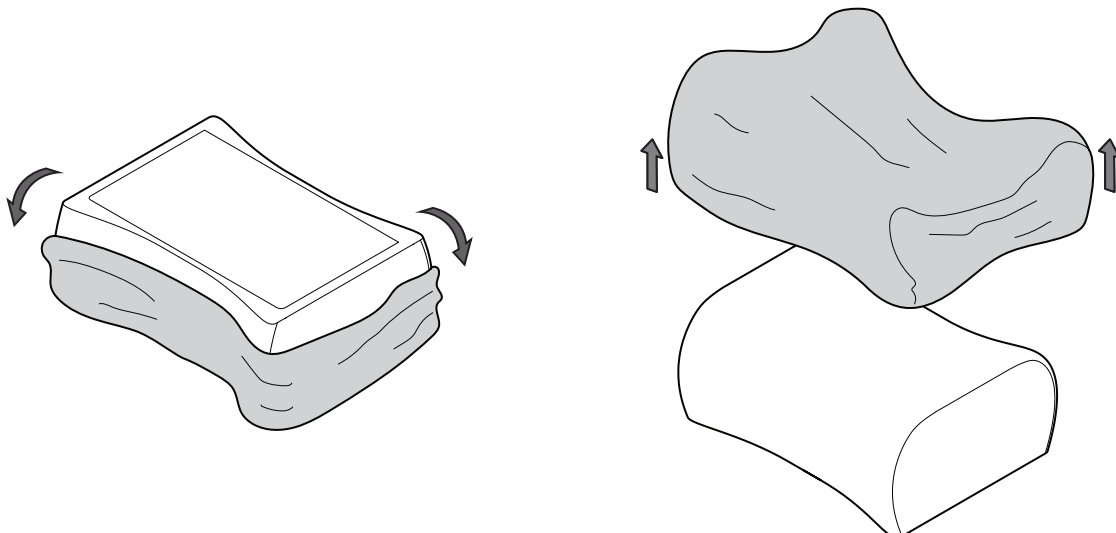
1



2

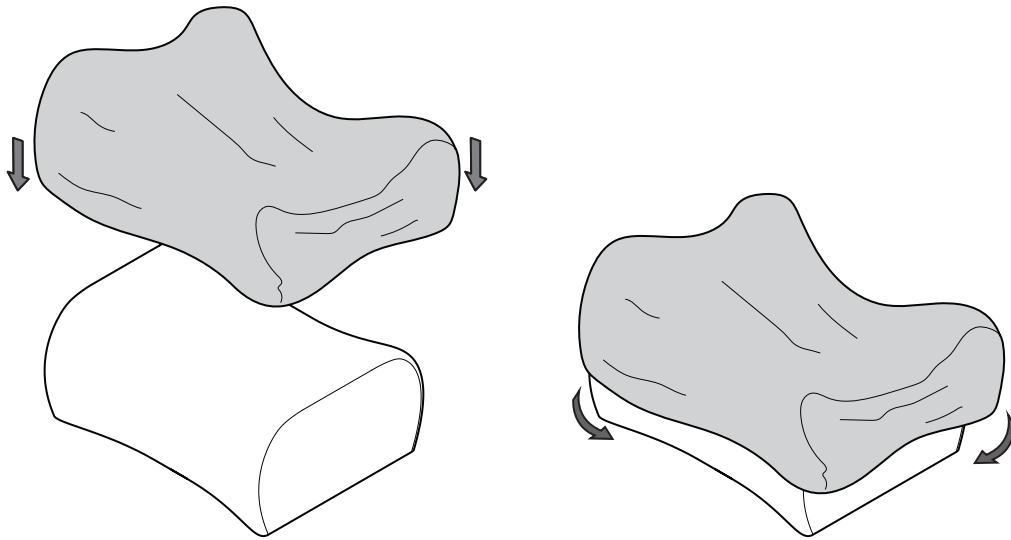


3

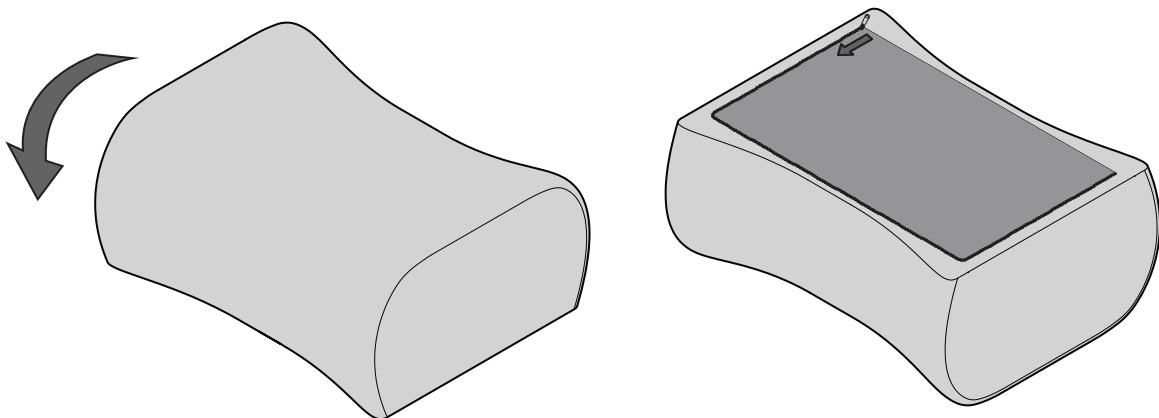


Cover Installation: Ottoman

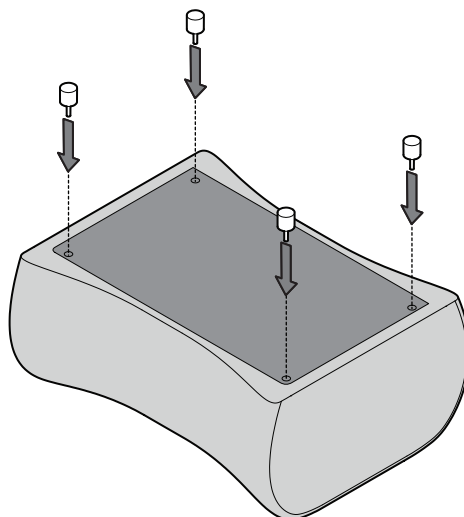
1



2



3



1977 Arm

Assembly | User Guide

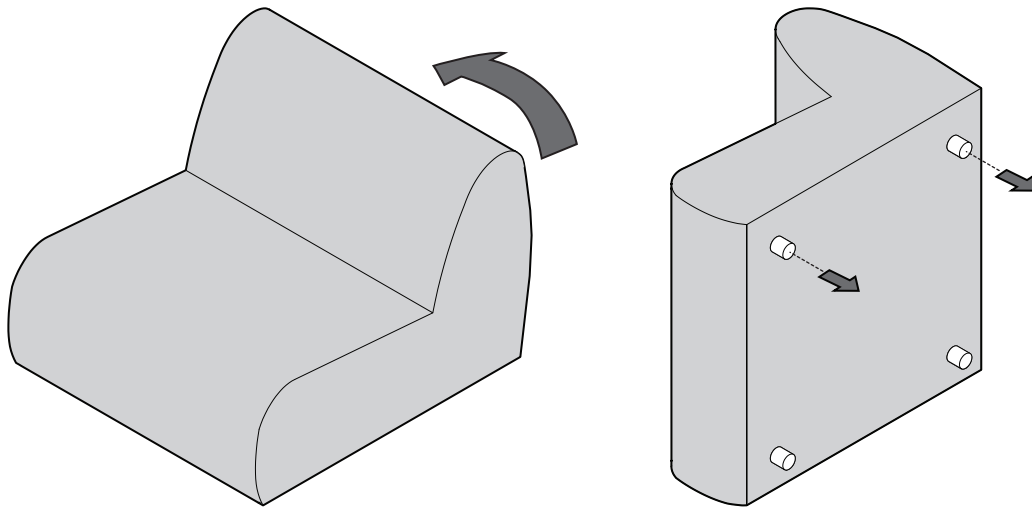
Two people are required for safe assembly

Opening Boxes:

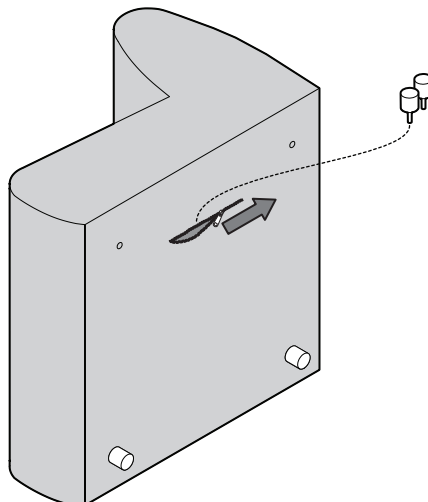
DO NOT use a knife to open the packaging as you may damage your furniture.
Peel off the tape, then lift & separate the cardboard flaps to open.

Assemble your furniture by following the instructions below.

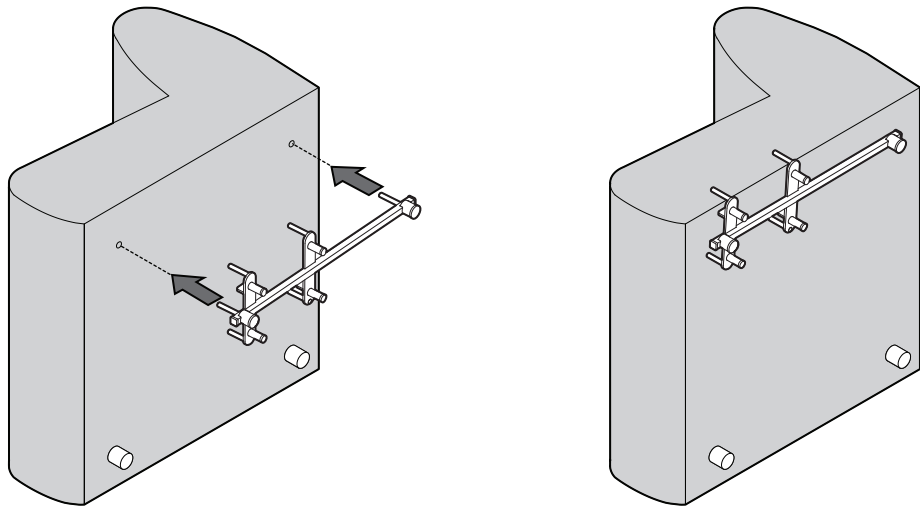
1



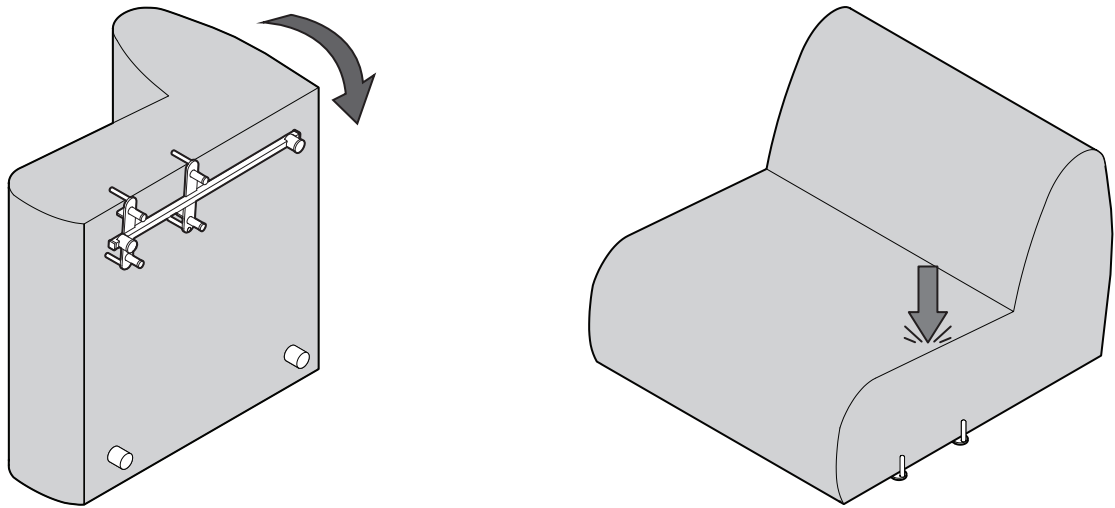
2



3



4



5

