

K I N G



DT2023065-V18

kingliving.com

1977

1977 Sofa Modules

Modules are easily reconfigured to suit your lifestyle and space.

1977 Sofa Modules:

Purchase modules individually, or choose from convenient pre-selected packages.

Chair

Top View



860 (34")

Side View



420 (16.5") | 710 (28")
960 (37.75")

Front View



Armrest (Optional)

Top View



490 (19.25")
460 (18.25")

Chair with Armrests

Top View



960 (37.75")

Side View



Front View



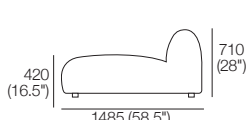
Chaise

Top View



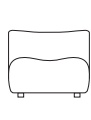
860 (34")

Side View



420 (16.5") | 710 (28")
1485 (58.5")

Front View



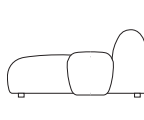
Chaise with Armrest

Top View

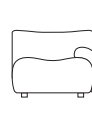


910 (36")

Side View

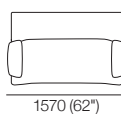


Front View



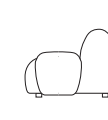
2-Seater with Armrests

Top View

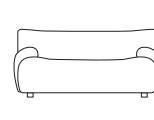


1570 (62")

Side View



Front View



Corner

Top View



960 (37.75")

Side View



420 (16.5") | 710 (28")

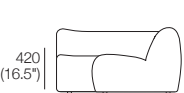
Curve

Top View



1300 (51.25")

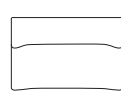
Side View



420 (16.5") | 710 (28")
1300 (52.25")

2-Seater

Top View



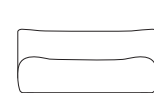
1470 (58")

Side View



420 (16.5") | 710 (28")
960 (37.75")

Front View



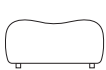
Large Ottoman

Top View



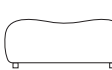
860 (34")

Front View



860 (34")

Side View



950 (37.5")



420 (16.5")

Small Ottoman

Top View



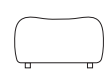
680 (26.75")

Front View



680 (26.75")

Side View



700 (27.5")



380 (15")

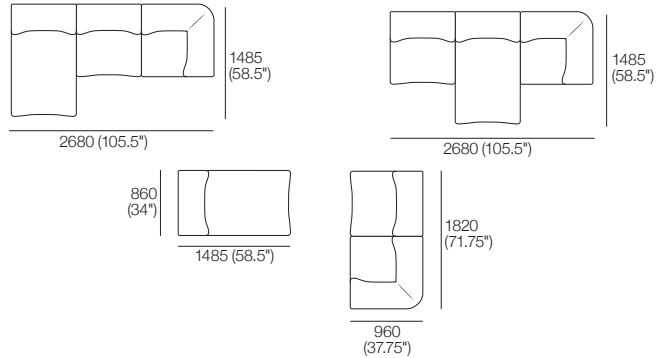
Effective October 2024. Module dimensions are indicative, some variance may occur dependent on: upholstery, leg, and joiner. Upholstery: **Tempest**: dimensions as above. **Leura**: dimensions -5mm (.25") per module. King Living has a policy of continuous improvement, changes to products and specifications may be made without prior notice. Images and drawings are representative of design only. Accessories not included.

1977 Sofa Packages

Modules are easily reconfigured to suit your lifestyle and space.

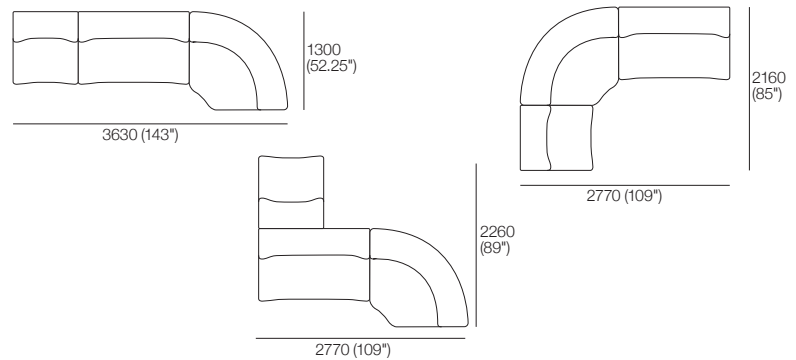
3-Module Sofa with Chaise – Package 3

Configuration Examples:



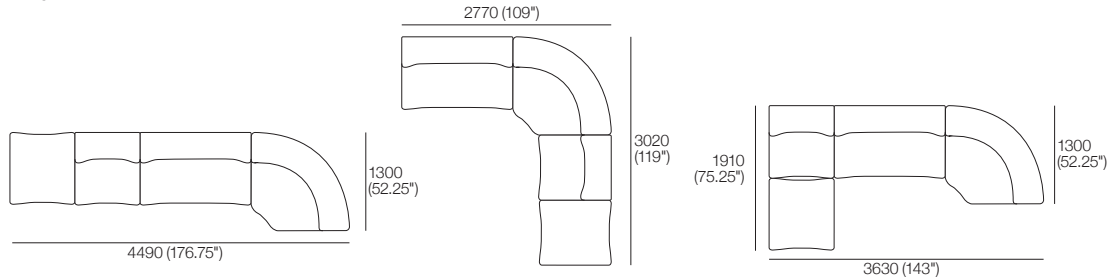
3-Module Curve Sofa – Package 6

Configuration Examples:



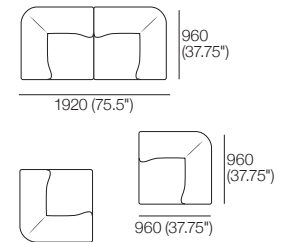
4-Module Curve Sofa with Ottoman – Package 7

Configuration Examples:



1977 2-Module Sofa – Package 8

Configuration Examples:

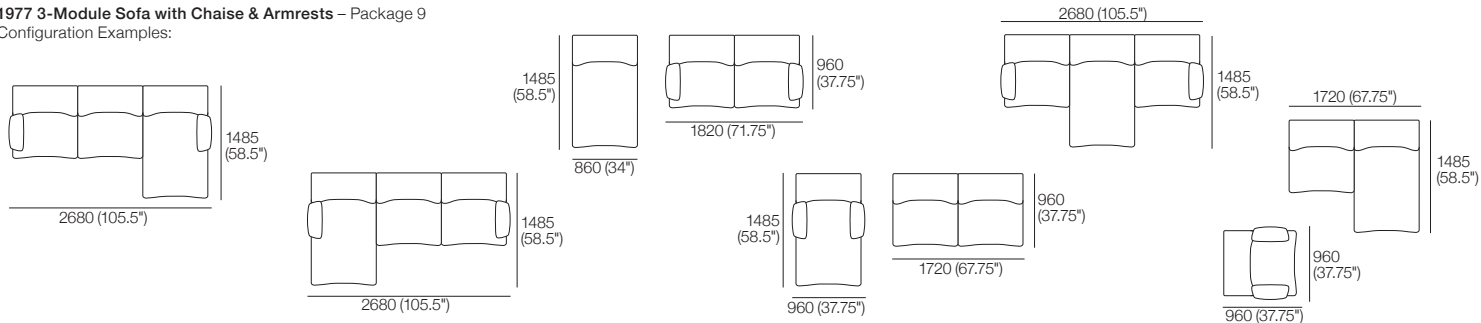


1977 Sofa Packages

Modules are easily reconfigured to suit your lifestyle and space.

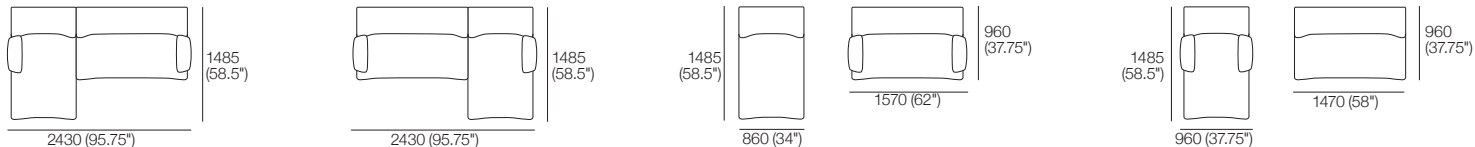
1977 3-Module Sofa with Chaise & Armrests – Package 9

Configuration Examples:



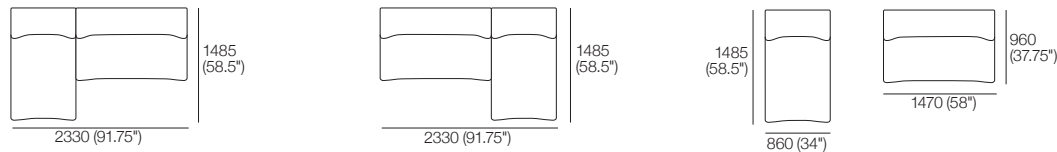
1977 2-Module Sofa with Chaise & Armrests – Package 10

Configuration Examples:



1977 2-Module Sofa with Chaise – Package 11

Configuration Examples:



Effective October 2024. Module dimensions are indicative, some variance may occur dependent on: upholstery, leg, and joiner. Upholstery: **Tempest**: dimensions as above. **Leura**: dimensions –5mm (.25") per module. King Living has a policy of continuous improvement, changes to products and specifications may be made without prior notice. Images and drawings are representative of design only. Accessories not included.