

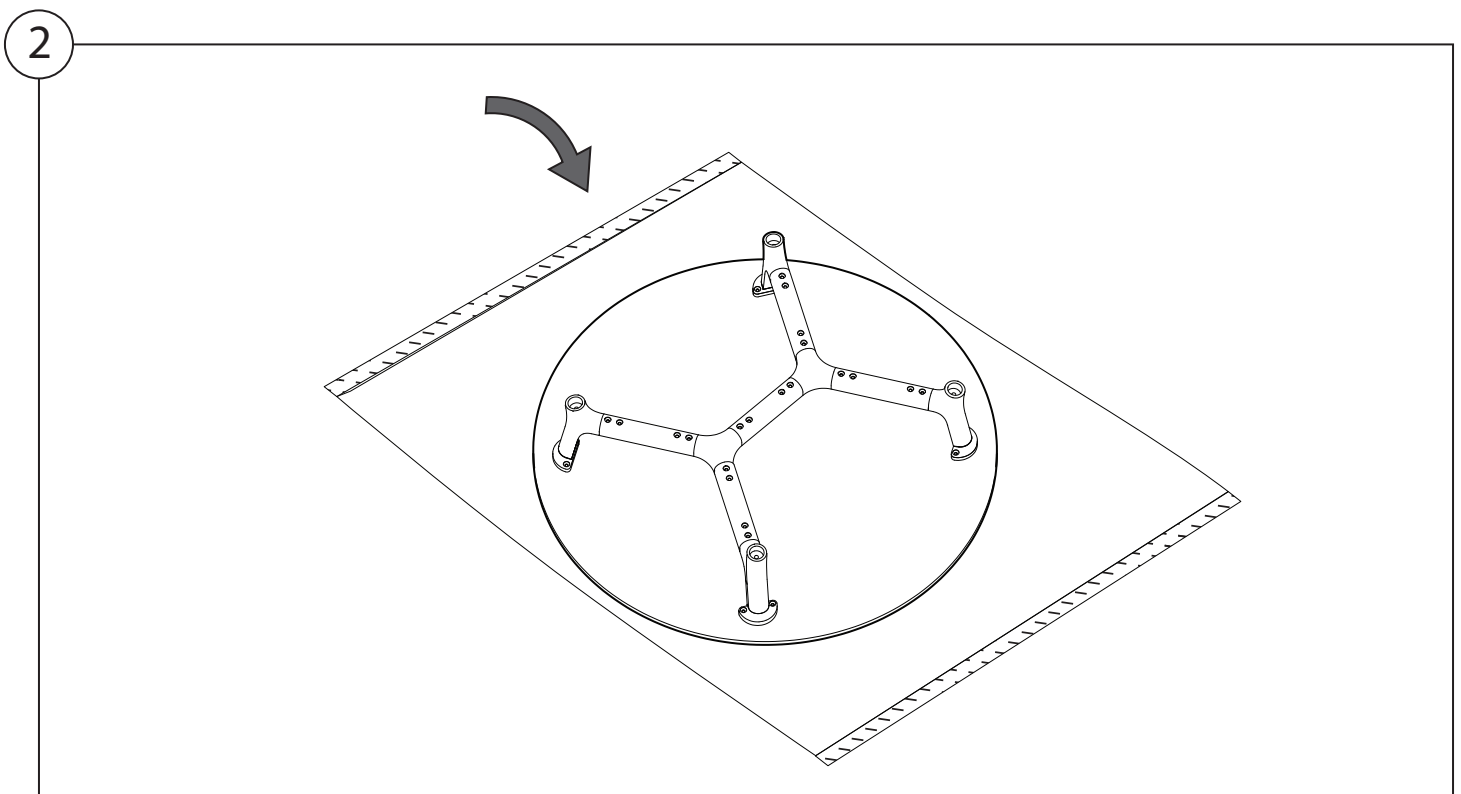
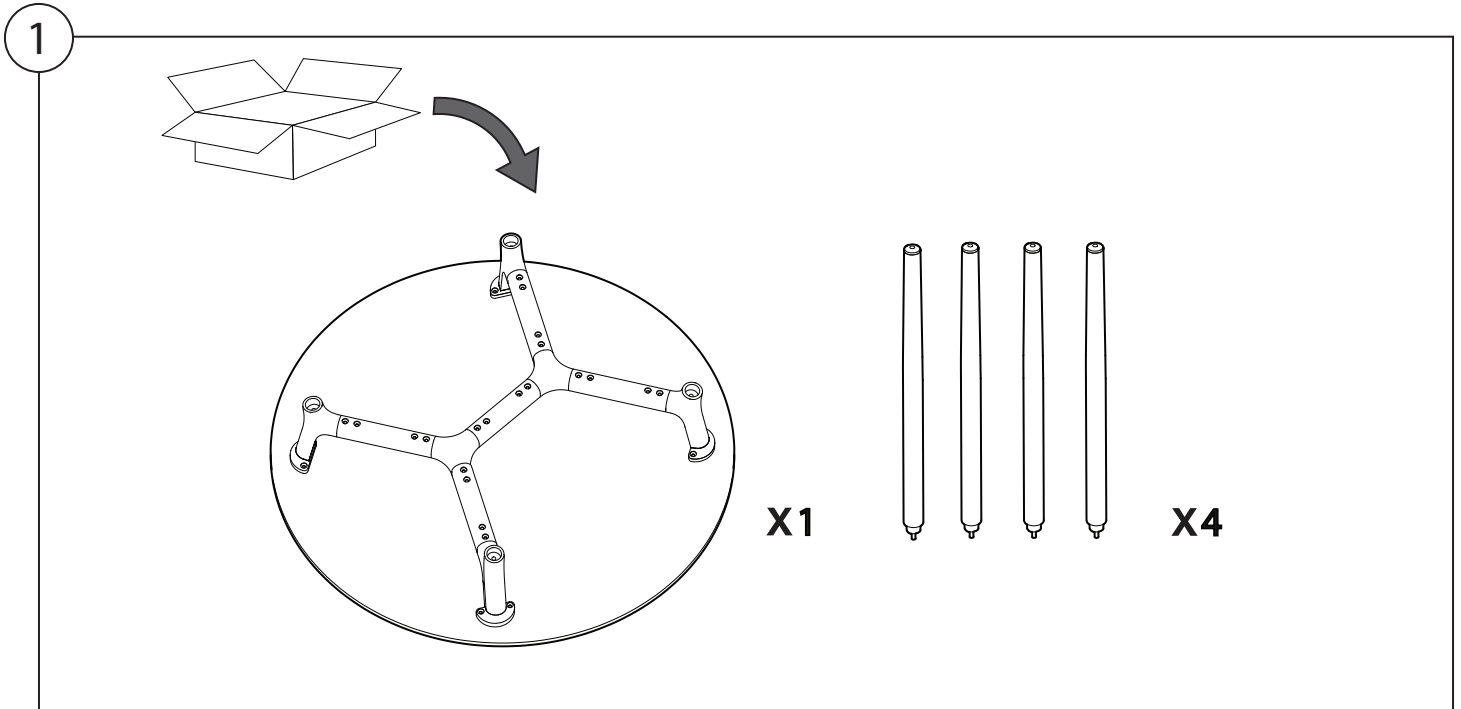
## Olive Table (Dining, Counter, and Bar Heights) Assembly Instructions

Two People Are Required For Safe Assembly.

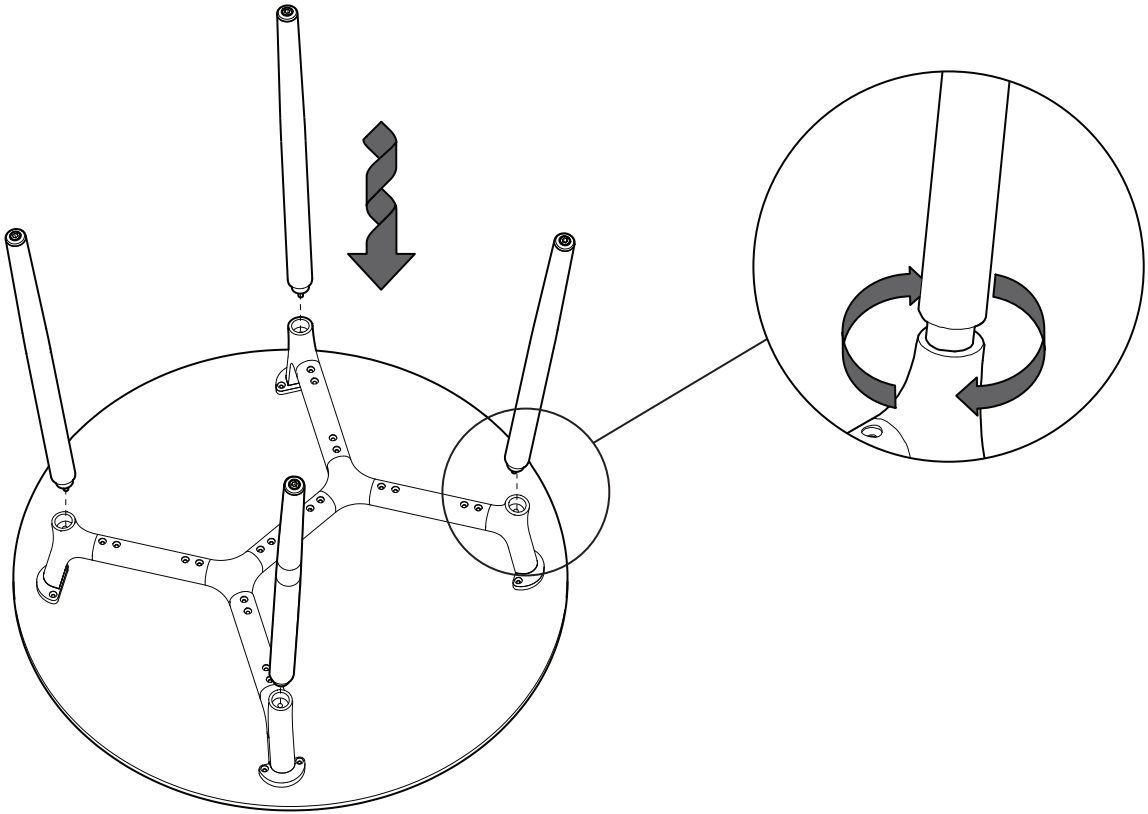
Opening Boxes:

DO NOT use a knife to open the King boxes as you may damage your furniture.  
Peel off the tape, then lift & separate the cardboard flaps to open.

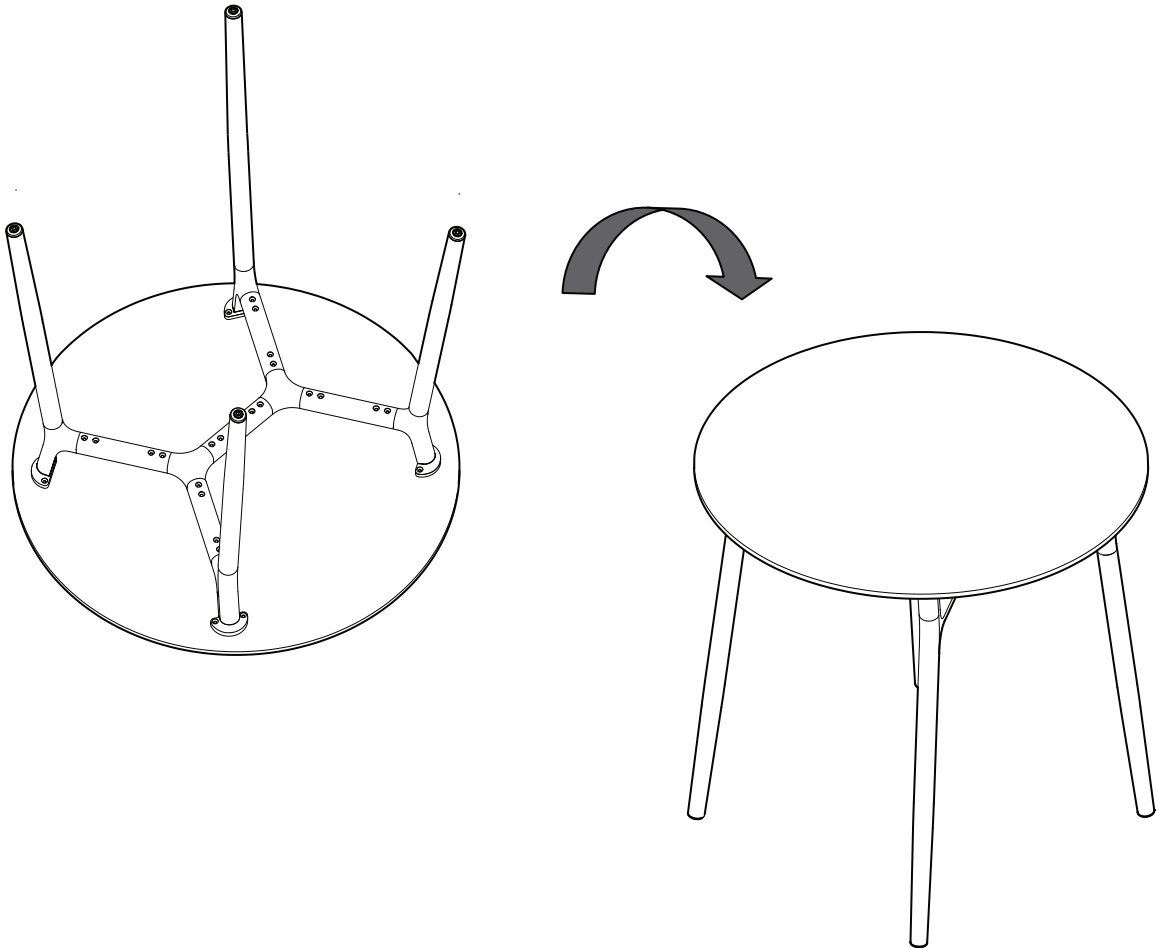
Assemble your furniture by following the instructions below.



3



4

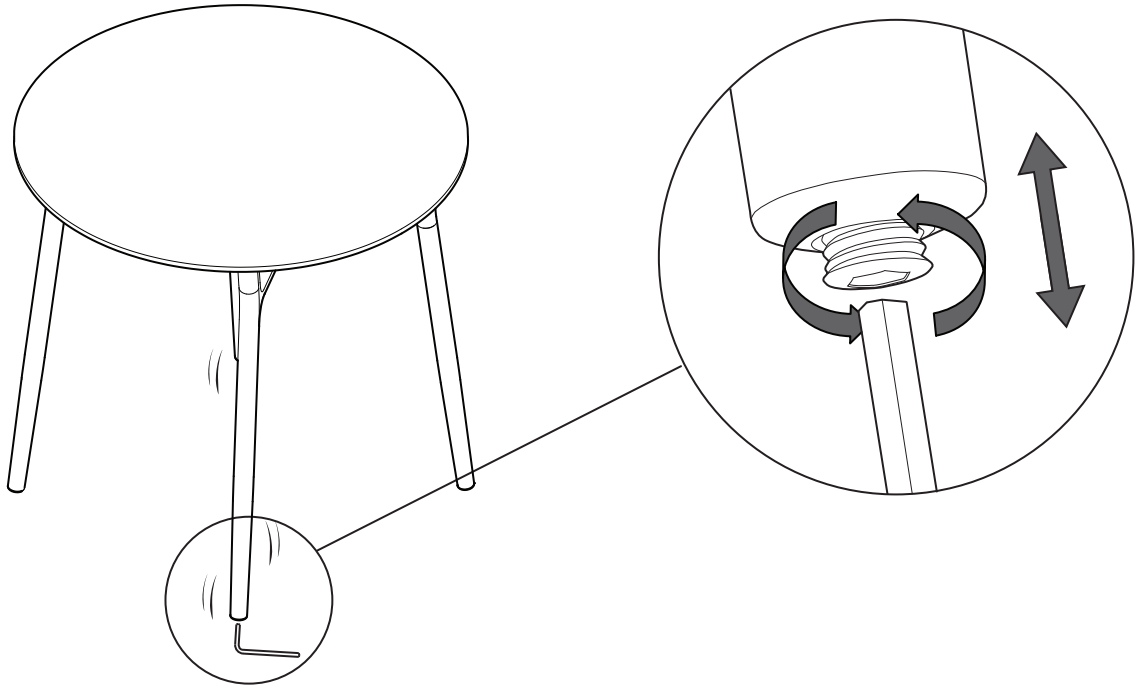


# Adjusting Leg Height

1



**X1 8mm Allen Key**



2

